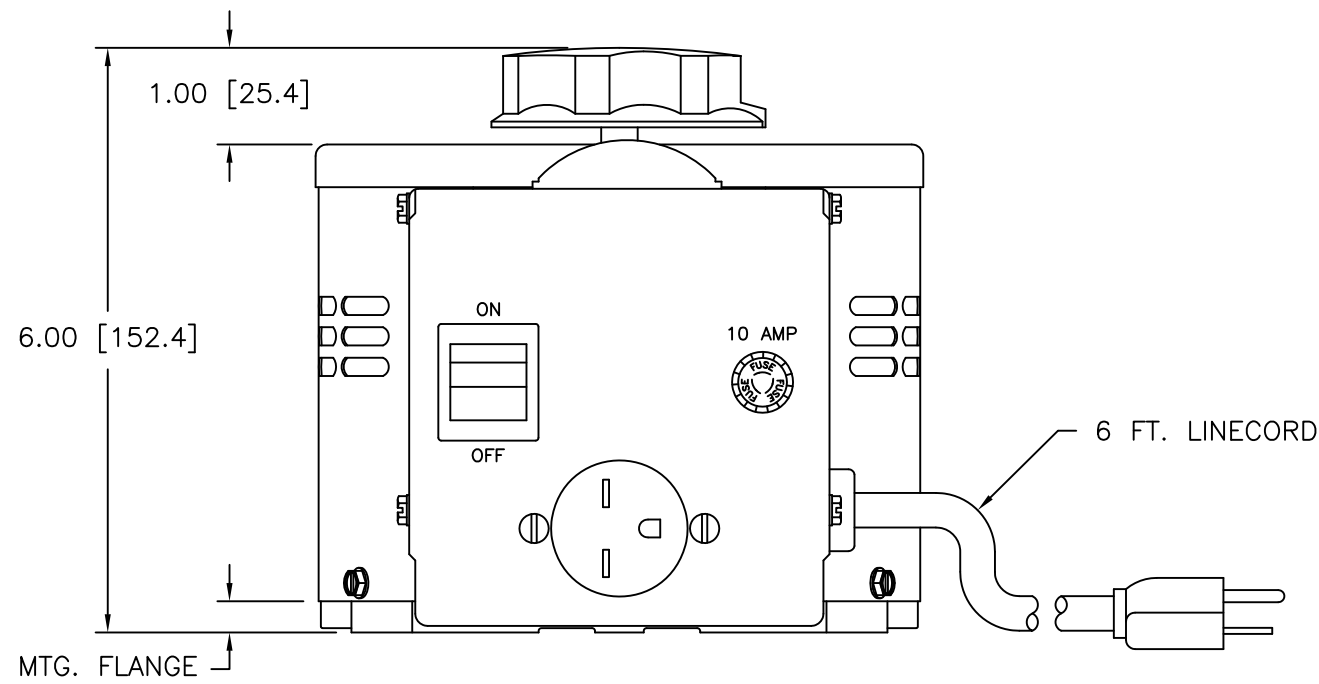
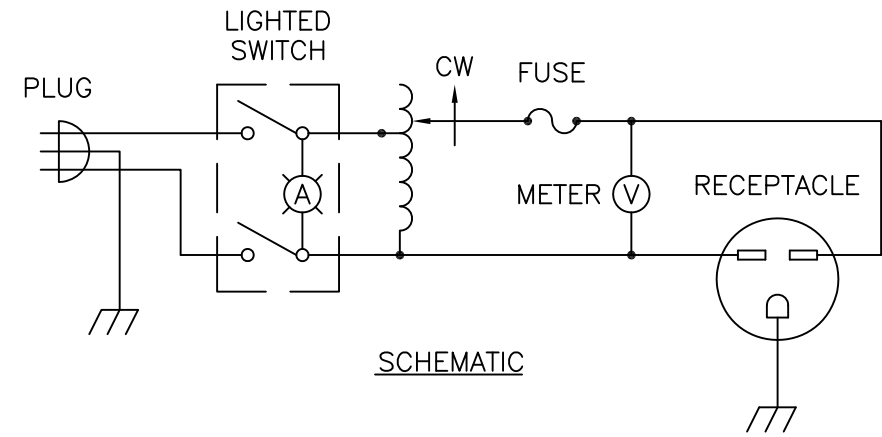
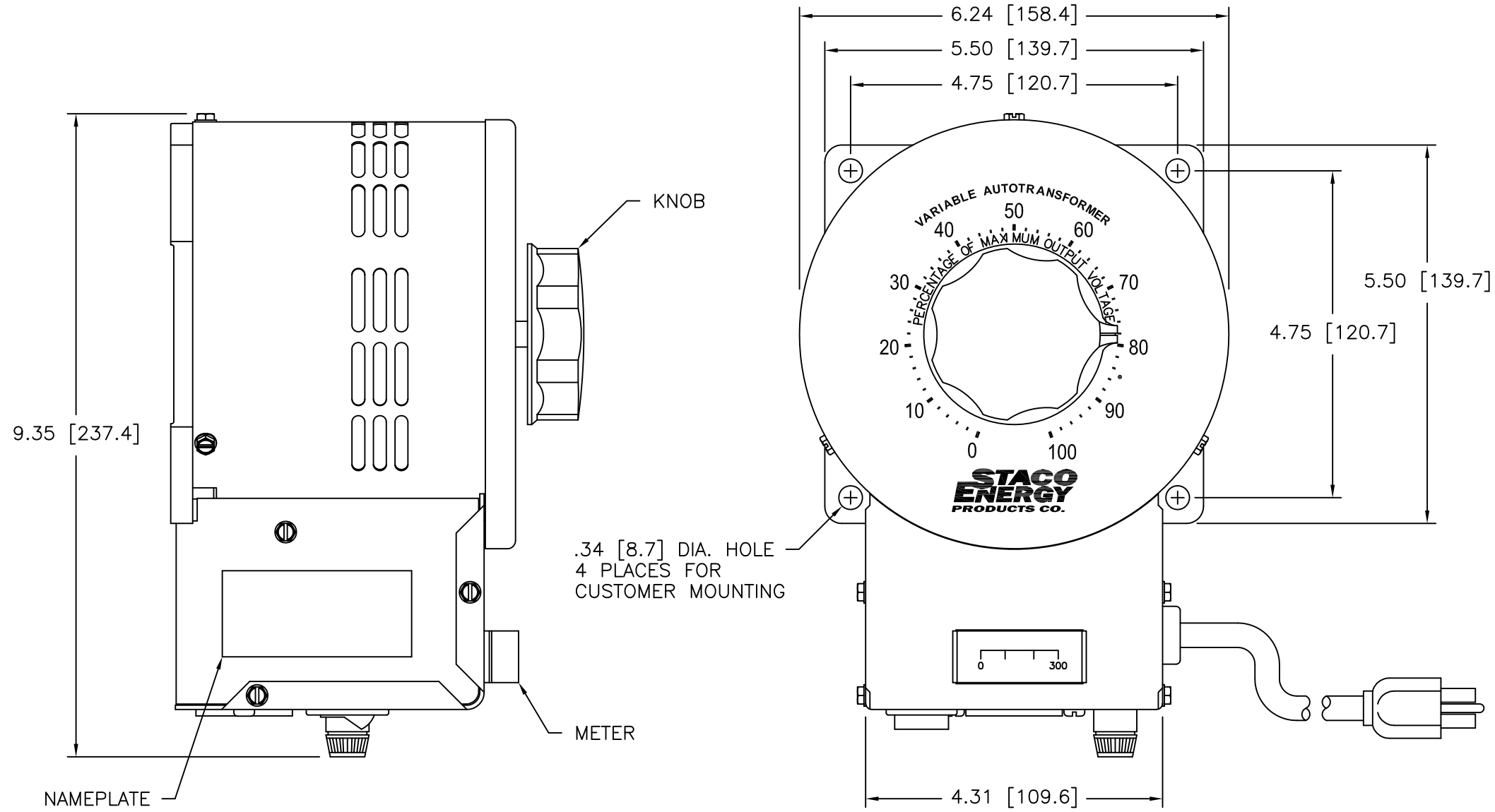


DWG. NO.	031-3946		
DWG. SIZE	D		
REVISIONS			
SYM.	E.C.N.	DATE	APVD.
A	24185	2/28/00	ROTATED RECEPTACLE
B	24536	3/13/01	REVISED SILKSCREEN



SPECIFICATIONS					
WIRING	INPUT		OUTPUT		
	VOLTS	HERTZ	VOLTS	CONSTANT CURRENT LOAD	
				MAX. AMPS	MAX. KVA
SINGLE PHASE	240	50/60	0-280	9.5	2.66

UNLESS OTHERWISE SPECIFIED, TOLERANCE IS ±		UNITS		TITLE:		SPEC. CONTROL DRAWING				
DECIMALS	HOLES	ANGLES	DRAFT	IN [mm]	VARIABLE TRANSFORMER		MODEL: 3PN1520BV			
.XX	.0005	.01	1"	1-1/2"	MATERIAL:	ALL DIMENSIONS APPLY AFTER PLATING	DRWN BY	DATE	FIRST USED ON	DO NOT SCALE DWG.
						S.A. SMITH		5/16/96	3PN1520BV	
						CHECKER		DATE	WEIGHT APPROX.	CAGE CODE
						ENGINEER		DATE	22 LBS	83008
								SCALE	1=1	SHEET 1 OF 1
										DWG. NO.
										D
										031-3946

The information and design disclosed herein was originated by and is the property of STACO ENERGY PRODUCTS CO., which reserves all patent, proprietary, design, manufacturing, reproduction, use and sale rights thereto, and to any article disclosed therein except to the extent rights are expressly granted to others. The foregoing does not apply to vendor proprietary parts.