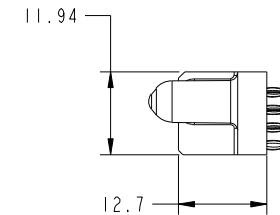
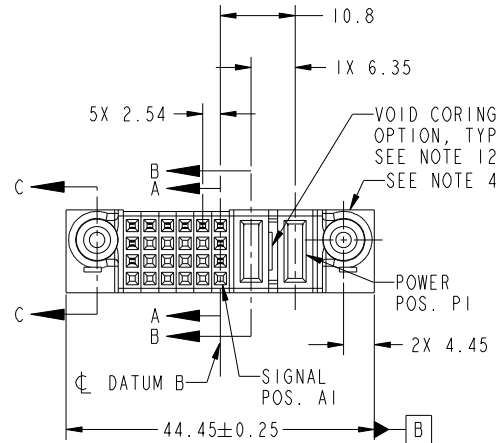


Tous droits strictement reserves. Reproduction ou communication a des tiers interdite sous quelque forme que ce soit sans autorisation ecrite du proprietaire. Propriete de c FCI. Droits de reproduction FCI.



All rights strictly reserved. Reproduction or issue to third parties in any form whatever is not permitted without written authority from the proprietor. Property of FCI. Copyright FCI.

PRODUCT NO.	ROWS	SIGNAL					POWER		E1		
		E2	6	5	4	3	2	1		P2	P1
51752-026-- NOTE: 3	D C B A		F	F	F	F	F	F	PF	PF	
			F	X	X	X	X	X			
			F	X	X	X	X	X			
			X	X	X	X	X	X			



CODE	DIM "M" MATING LENGTH	CONTACT TYPE
PF	[2.34]	POWER
F	[N/A]	SIGNAL
X	OMITTED	

mat'l code				SEE NOTES		tolerances unless otherwise specified		CUSTOMER		 www.fciconnect.com	
ltr	ecn no.	dr	date	linear	0.X ±0.5	projection		COPY		title	
A	DG09-0128	JW	01/14/09	angles	0.XX ±0.25			MIM		2P + 24S VERTICAL PRESS-FIT RECEPT	
				dr	0.XXX ±0.1	scale		product family		code	
				enr	0° ±2°	1:1		PwrBlade		213	
				chr	JULIA WANG 01/14/09			size		sheet	
				appd	JEROME CHEN 01/14/09			dwg no		1 of 4	
					GARY HSIEH 01/14/09			51752-026			
					JOSEPH HSIA 01/14/09			A			
sheet index	revision sheet	A	A	A	A			cage code		4	
1	2	3	4					22526			

Pro/E

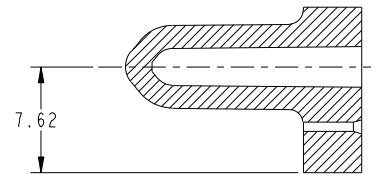
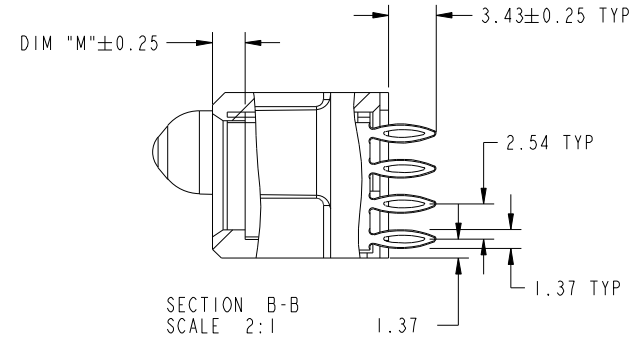
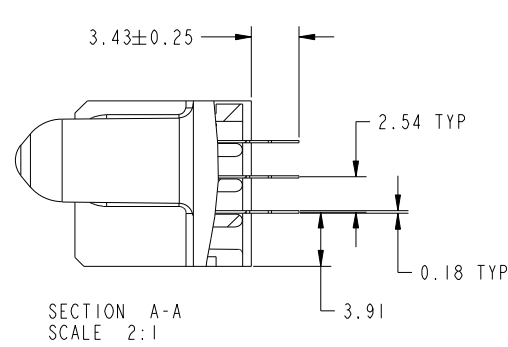
cage code 22526

Tous droits strictement reserves. Reproduction ou communication a des tiers interdite sous quelque forme que ce soit sans autorisation écrite du propriétaire. Propriete de c FCI. Droits de reproduction FCI.



All rights strictly reserved. Reproduction or issue to third parties in any form whatever is not permitted without written authority from the proprietor. Property of FCI. Copyright FCI.

PRODUCT NUMBER
51752-026--
NOTE: 3



mat'l code				tolerances unless otherwise specified		CUSTOMER		FCI	
ltr	ecn no.	dr	date	linear	0.X ±0.5	COPY		www.fciconnect.com	
A					0.XX ±0.25	projection		title	
				angles	0.XXX ±0.1			2P + 24S VERTICAL PRESS-FIT RECEPT	
		dr	JULIA WANG	01/14/09	0° ±2°	MIM		product family PwrBlade code	
		enr	JEROME CHEN	01/14/09				size 213	
		chr	GARY HSIEH	01/14/09		scale		dwg no 51752-026 sheet	
		appd	JOSEPH HSIA	01/14/09		1:1		2 of 4	
sheet index		revision sheet							

Pro/E

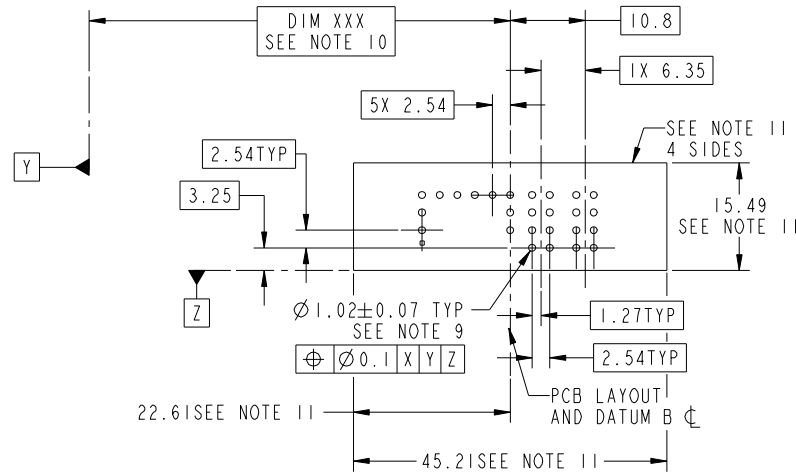
cage code 22526

Tous droits strictement reserves. Reproduction ou communication a des tiers interdite sous quelque forme que ce soit sans autorisation écrite du propriétaire. Propriete de c FCI. Droits de reproduction FCI.

All rights strictly reserved. Reproduction or issue to third parties in any form whatever is not permitted without written authority from the proprietor. Property of FCI. Copyright FCI.



PRODUCT NUMBER
51752-026--
NOTE: 3



mat'l code				tolerances unless otherwise specified			CUSTOMER			
ltr	ecn no.	dr	date	linear	0.X ± 0.5	COPY		www.fciconnect.com		
A				linear	0.XX ± 0.25	projection		title 2P + 24S		
				angles	0.XXX ± 0.1			VERTICAL PRESS-FIT RECEPT		
				angles	0° ± 2°	MIM		product family PwrBlade code 213		
		dr	JULIA WANG	01/14/09		scale		size dwg no 213		
		enr	JEROME CHEN	01/14/09		1:1		sheet 3 of 4		
		chr	GARY HSIEH	01/14/09				51752-026		
		appd	JOSEPH HSIA	01/14/09						
sheet index	revision sheet									

cage code 22526

Pro/E

Tous droits strictement reserves. Reproduction ou communication a des tiers interdite sous quelque forme que ce soit sans autorisation ecrite du proprietaire. Propriete de c FCI. Droits de reproduction FCI.



All rights strictly reserved. Reproduction or issue to third parties in any form whatever is not permitted without written authority from the proprietor. Property of FCI. Copyright FCI.

PRODUCT NUMBER
51752-026--
NOTE: 3

NOTES:

1. DIMENSIONS AND TOLERANCES ARE IN ACCORDANCE WITH ASME Y14.5M, 1994 UNLESS OTHERWISE SPECIFIED.

CONNECTOR NOTES:

- 2 HOUSING MATERIAL: UL 94 V-0 GLASS FILLED HIGH-TEMP THERMOPLASTIC
POWER CONTACT MATERIAL: COPPER ALLOY
SIGNAL PIN MATERIAL: COPPER ALLOY
 - 3. PLATING SPEC.
SEE NOTE 7 & 8 IN PIRNT 10064183 FOR PLATING SPEC OF 51752-026, 51752-026LF RESPECTIVELY.
 - 4 MANUFACTURER'S NAME, P/N, AND DATE CODE TO APPEAR ON THIS SURFACE.
 - 5. PRODUCT SPECIFICATION GS-12-149.
APPLICATION SPECIFICATION BUS-20-067.
 - 6. PACKAGED IN TRAYS.
- PCB NOTES:
- 7. ALL HOLE DIAMETERS ARE FINISHED HOLE SIZE.
 - 8 MOUNTING HOLES, WHERE APPLICABLE, ARE UNPLATED.
 - 9 $\varnothing 1.151 \pm 0.025$ DRILLED HOLES PLATED WITH
0.008 MIN SnPb OR Sn OVER 0.03
TO 0.08 Cu PLATING TO ACHIEVE
 $\varnothing 1.02 \pm 0.07$ HOLE.
 - 10 "DIM XXX" TO BE DETERMINED BY THE CUSTOMER.
 - 11 CONNECTOR KEEP-OUT ZONE.
 - 12. THE VOID CORING IN BETWEEN POWER MODULES, SIGNAL MODULES AND END MODULES ARE OPTIONAL AND THE SHAPE MAY BE DIFFERENT FOR OPTIMIZE THE MOLDING PROCESS. THE VOID CORING WILL NOT EFFECT TO PRODUCT FUNCTION.

mat'l code				tolerances unless otherwise specified		CUSTOMER		FCI	
ltr	ecr no.	dr	date	linear	0.X ± 0.5	COPY		www.fciconnect.com	
A					0.XX ± 0.25	projection		title 2P + 24S	
				angles	0.XXX ± 0.1			VERTICAL PRESS-FIT RECEPT	
				dr	0° ± 2°	MIM		product family PwrBlade code 213	
				enr	JULIA WANG 01/14/09	scale		size dwg no 51752-026 sheet 4 of 4	
				chr	JEROME CHEN 01/14/09	1:1			
				appd	GARY HSIEH 01/14/09				
					JOSEPH HSIA 01/14/09				
sheet index	revision sheet								

cage code 22526

Pro/E