

NOTES: (b)

1. FOR WAVESOLDERING (SOLDER BATH TEMPERATURE 260°C FOR 5SEC. AND SOLDER PREHEAT 100°C FOR 30SEC.)
2. METALSHELLS: STEEL; min. 315µm TIN over 40-80µm NICKEL
3. INSULATOR: HIGH TEMPERATURE PLASTIC UL 94 V-0, BLACK
4. CONTACTS: COPPER ALLOY; PLATING (SEE PART NO.):
  - PLEASE ADD A for GOLD FLASH over NICKEL (PREFERRED TYPE)
  - PLEASE ADD B for 20µm HARD GOLD over min. 50µm NICKEL
  - PLEASE ADD C for 30µm HARD GOLD over min. 50µm NICKEL
  - PLEASE ADD J for 50µm HARD GOLD over min. 50µm NICKEL
- CONTACTS TAILS PRETINNED
5. CAPACITANCE: 1300pF ± 20%
6. DIELECTRIC WITHSTANDING VOLTAGE: 424 VDC
7. THREADED INSERTS: COPPER ALLOY; min. 200µm TIN over 80µm min. NICKEL
8. COLLARS: COPPER ALLOY; min. 200µm TIN over 80µm min. NICKEL
9. P.C.B HOLE DRILLINGS ON SHEET 2
10. MAXIMUM TORQUE VALUE FOR THREAD: 6in.LB
11. CONNECTOR IS PART MARKED: 241□10200X CONEC ABC (see note 5)

RoHS compliant

(b)

THIS DRAWING MAY NOT BE COPIED OR REPRODUCED IN ANY WAY, AND MAY NOT BE PASSED ON TO A THIRD PARTY WITHOUT WRITTEN PERMISSION. OWNERSHIP AND COPYRIGHT OF CONEC GmbH

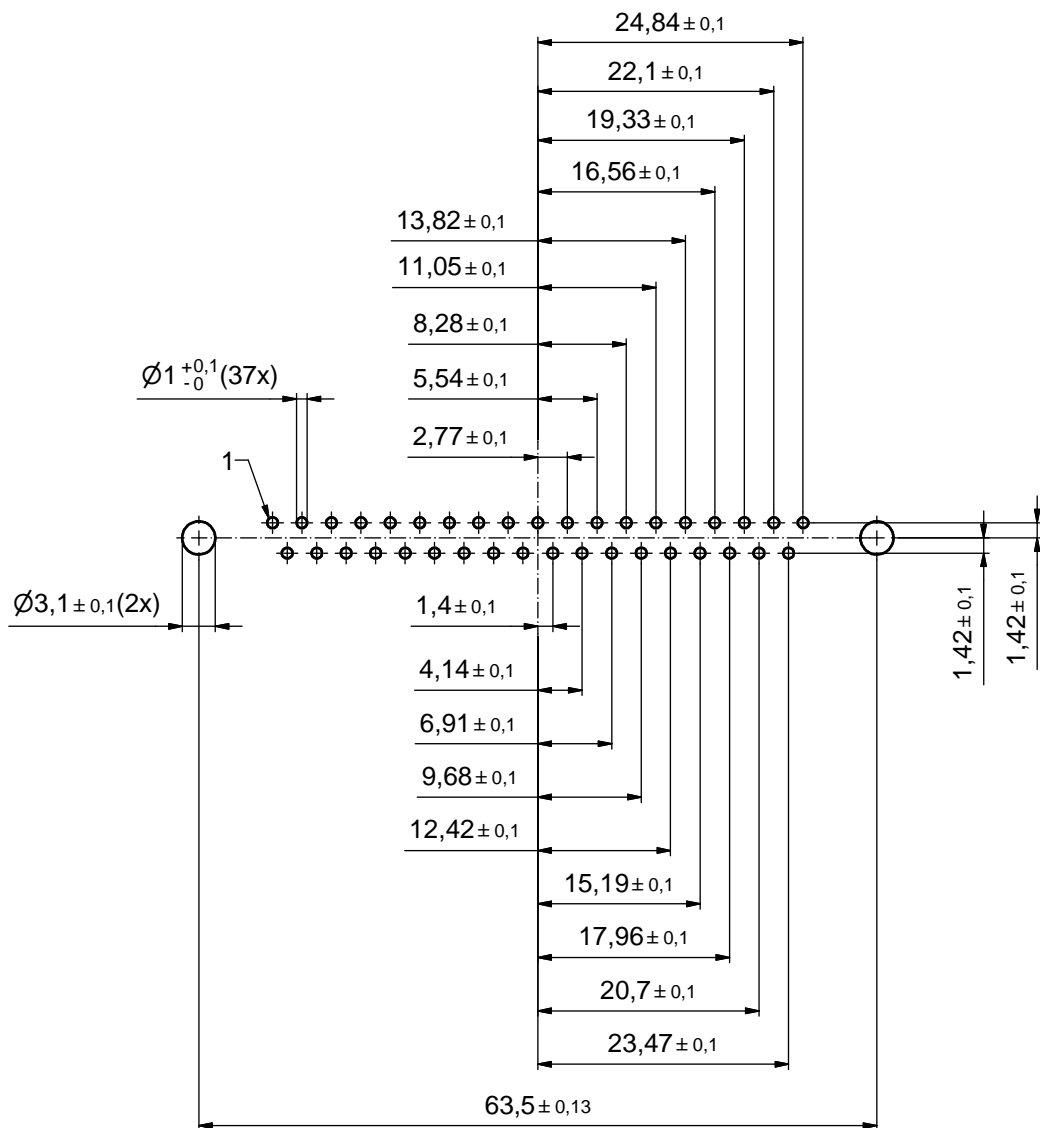
DO NOT ALTER CAD DRAWING BY HAND

				tolerance		dim. in mm
				date	name	
6 x b	A5736	23.07.15	M. H.	drawn	13.02.2008	Sonnenberg
a	Original			appd.	13.02.2008	Mickenbecker
rev.	description	date	name	norm		
				d-old		

scale: 2:1 (5:1)	
material: SEE NOTES	
title: D-SUB FILTER MALE 37pos. SOLDER PIN STRAIGHT with threaded insert	
dwg no: 24K1A1068	DIN-A3
sh: 1	
part no: (b) 241□10200X (see note 5)	



ⓑ P.C.B. HOLE DRILLINGS  
(P.C.B. TOP SIDE)



THIS DRAWING MAY NOT BE COPIED OR REPRODUCED IN ANY WAY, AND MAY NOT BE PASSED ON TO A THIRD PARTY WITHOUT WRITTEN PERMISSION. OWNERSHIP AND COPYRIGHT OF CONEC GmbH  DO NOT ALTER CAD DRAWING BY HAND					tolerance	 dim. in mm	scale: 2:1			
					date		name	material: SEE SHEET 1		
					drawn	13.02.2008	Sonnenberg	title: <b>P.C.B. HOLE DRILLINGS</b> D-SUB FILTER MALE 37pos. with threaded insert		
					appd.	13.02.2008	Mickenbecker			
					norm			dwg no: 24K1A1068 DIN-A3 sh: 2		
				d-old						
				1 x b	A5736	23.07.15	M. H.	part no: SEE SHEET 1		
				a	Original					
				rev.	description	date	name			
				<b>CONEC®</b>						