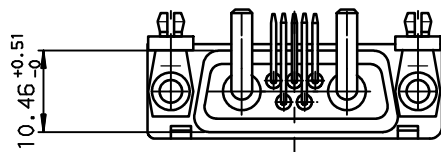
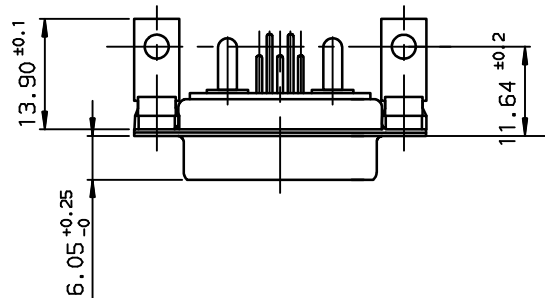
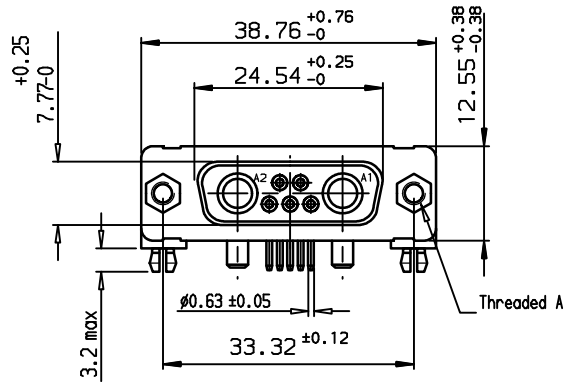


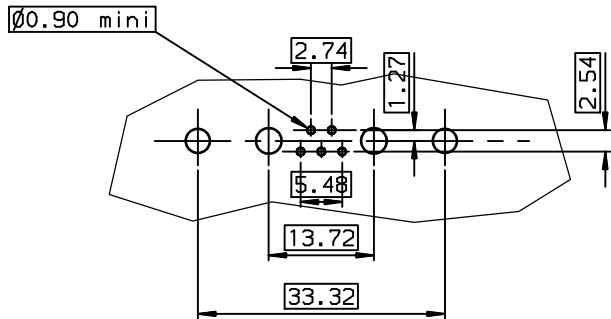


Copyright FCI.

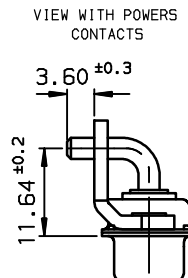
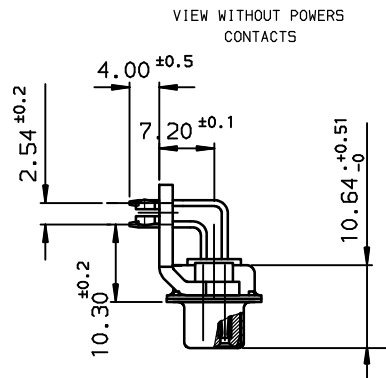
D



LAYOUT DIMENSIONS (after plating)
CONNECTOR SIDE VIEW



2



3

TIN LEAD PART NUMBER

DA07W2S500G30	UNC 4.40
DA07W2S500G40	UNC 4.40
DAL7W2S500G30	M3
DAL7W2S500G40	M3
PART NUMBER	Threaded A

LEAD FREE PART NUMBER

DA07W2S500G30LF	UNC 4.40
DA07W2S500G40LF	UNC 4.40
DAL7W2S500G30LF	M3
DAL7W2S500G40LF	M3
PART NUMBER	Threaded A

GENERAL CHARACTERISTICS AND ROHS INFORMATIONS:
SEE DRAWING C01-8639-0000

European Views

www.fciconnect.com		surface ISO 1302 ✓	tolerance std ISO 406 ISO 1101	projection mm
TOLERANCES UNLESS OTHERWISE SPECIFIED				size A3
Dr	JARRY	1996/03/26	ANGULAR	Scale 1.5
Eng	PESSON	1996/03/26	LINEAR	ECN LS06-0095
Chr	LEGARE	1996/03/26	0.xx' ±2'	Spec ref -
Appr	LEGARE	1996/03/26	Product family	D-SUB
FCI		title SOCKET CONNECTOR RIGHT ANGLED WITH POWERS CONTACTS		Rev. D
catalog no		-		CUSTOMER sheet 1 of 1

rev	ecn no	dr	date
B	-	BAR	2003/11/03
C	LS05-001	MPE	2005/03/07
D	LS06-0095	LGO	2006/07/19
-	-	-	-
-	-	-	-
-	-	-	-

REV F - 2006-04-17

1

2

3

4