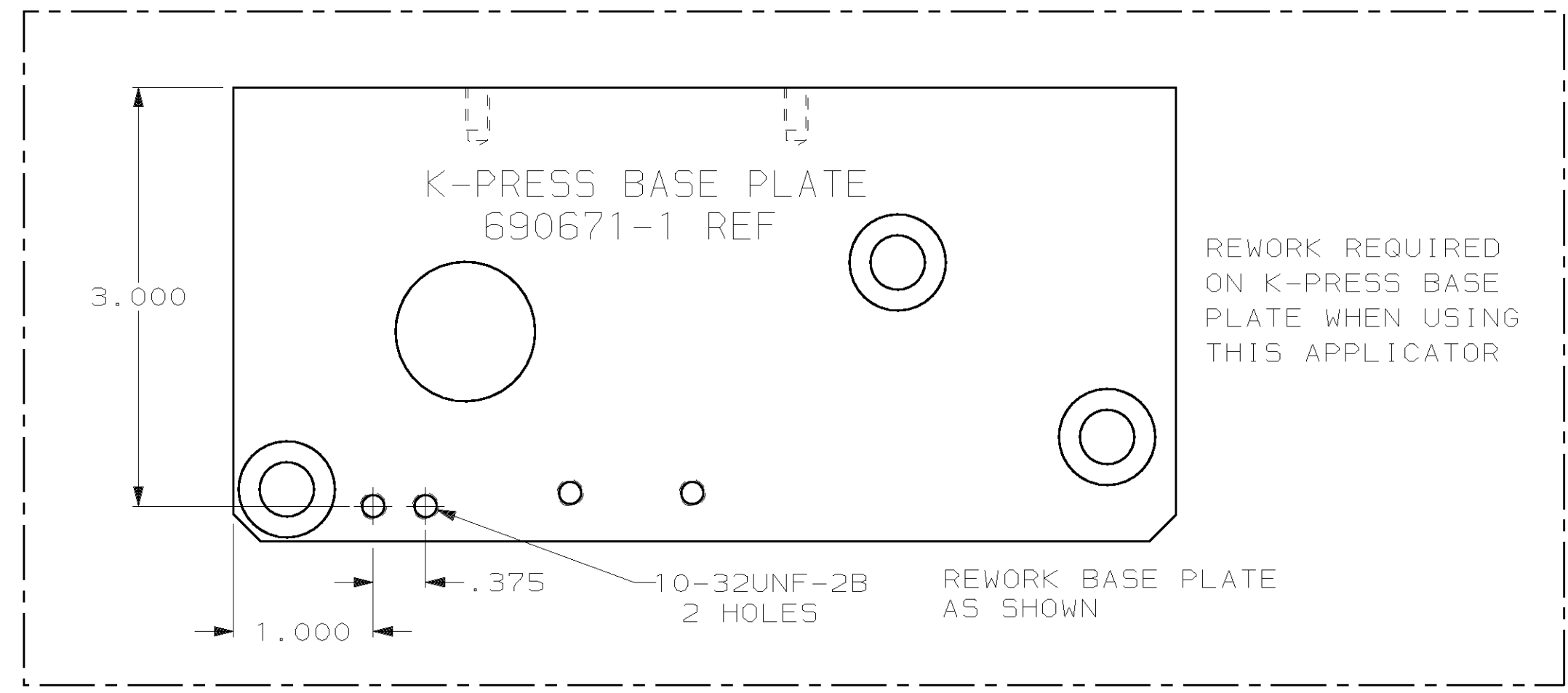


SECTION D-D
SCALE 2:1



SEE SHEET 1

QTY REQD PER ASSY	DWG SIZE	PART NO	DESCRIPTION	ITEM NO
			REVISION OF EACH ASSY NO (WHEN BLANK, USE DWG REVISION)	
PARTS LIST				
DIMENSIONS IN INCHES. TOLERANCES UNLESS OTHERWISE SPECIFIED.		MATERIAL	HEAT TREAT	FINISH
2 PL DEC ±		DR C ERISMAN	APP B WOLFE	AMP INCORPORATED
3 PL DEC ±		CHK C ERISMAN	REL DEITRICH	Harrisburg, Pa.
4 PL DEC ±		NAME MINIATURE QUICK CHANGE APPLICATOR		
ANGLES ±		SCALE 1:1	DWG NO 567288-2	SHEET 2 of 2
SURF TEXTURE: ✓		REMOVE BURRS, BREAK SHARP EDGES .015 R MAX		REV K3
CASE CODE 00779		CUSTOMER AND ASSEMBLY DRAWING		RESTRICTED TO

THIS DRAWING IS A CONTROLLED DOCUMENT.

THIS DRAWING IS UNCLASSIFIED
MAY 19, 1999
BY AMP INCORPORATED. ALL RIGHTS RESERVED.

LOC A
DIST 66