

TECHNICAL SPECIFICATION

HOUSING MATERIAL : THERMOPLASTIC POLYESTER UL 94 V-0, GREY
 HOUSING CAN WITHSTAND EXPOSURE TO LEAD FREE WAVE SOLDERING TEMPERATURE OF 260-265°C FOR STRAIGHT CONNECTORS AS IT IS IN CLASSICAL LEAD WAVE SOLDERING AT 235-250°C

CONTACT MATERIAL : COPPER ALLOY

CONTACT PLATING : GOLD OVER NICKEL

ACTIVE ZONE : GOLD OVER NICKEL

TERMINATION ZONE : TIN LEAD OVER NICKEL

TIN LEAD VERSION : TIN LEAD OVER NICKEL

LEAD FREE VERSION : TIN (PURE MATTE) OVER Ni

ELECTRICAL DATA

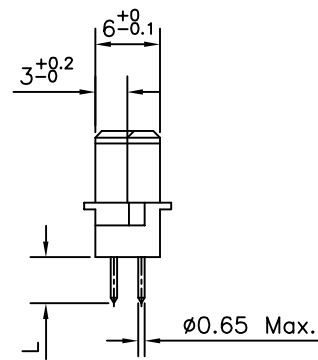
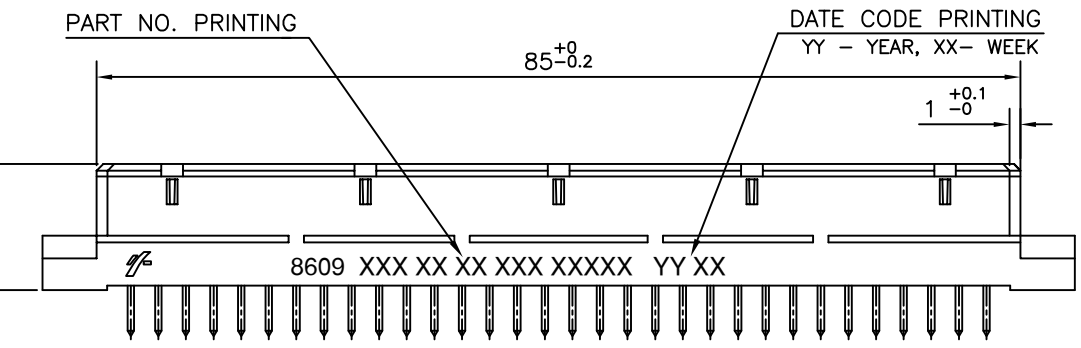
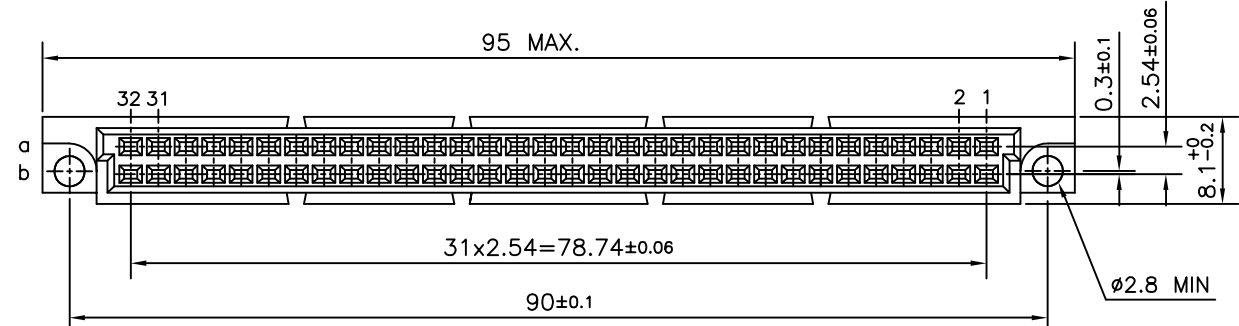
CURRENT RATING AT 20°C : 1.5 A
 CURRENT (I MAX) : 2 A
 TEMPERATURE RANGE : -55°C/ +125°C
 CONTACT RESISTANCE : ≤ 20mΩ
 INSULATION RESISTANCE : ≥ 10⁶ MΩ
 TEST VOLTAGE (rms) : 1000V

MECHANICAL DATA

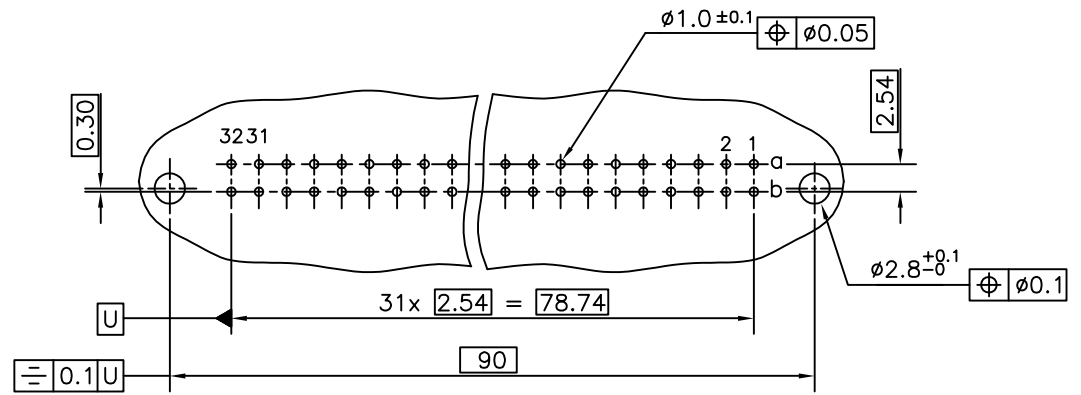
INSERTION FORCE PER CONTACT : ≤ 0.94N
 EXTRACTION FORCE PER CONTACT : ≥ 0.15N

REFERENCE SPECIFICATIONS : DIN 41612 / IEC 603-2

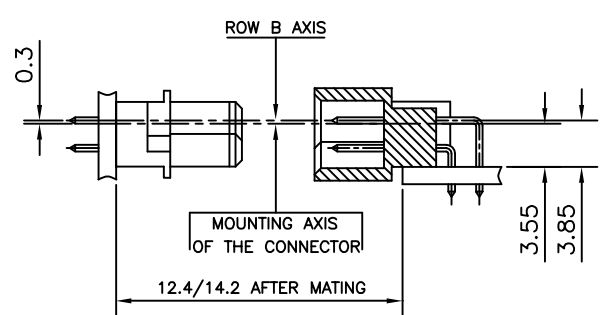
SERIES	8609	2	64	6	1	14	7	5	5	000E1
ROWS FITTED WITH CONTACTS										
Rows a b		2	64							
Rows a - -		1	32							
NUMBER OF CONTACTS										
TYPE OF INSULATOR										
2 ROW FEMALE INSULATOR				6						
METHOD OF MOUNTING										
STANDARD MOUNTING - STYLE B					1					
TERMINATION										
LONG STRAIGHT SPILL (L - SEE TABLE)						14				
SHORT STRAIGHT SPILL (L - SEE TABLE)							24			
OPTIONS										
NO OPTION								7		
PERFORMANCE CLASS										
4 - DIN 41612 CLASS 3									4	
5 - DIN 41612 CLASS 2										5
6 - DIN 41612 CLASS 1										6
8 - AS PER MIL C 55302/JSS 50808										8
PITCH PER ROW										5
2.54										
000E1										TIN LEAD VERSION
E1LF										LEAD FREE VERSION



P.C.B DRILLING DETAILS



24	2.5
14	4.0
TERM. STYLE	L +0.7/-0



NOTES:-

- THE "LF" PRODUCTS MEET EUROPEAN UNION DIRECTIVES AND OTHER COUNTRY REGULATIONS AS DESCRIBED IN GS-22-008
- THE HOUSING WILL WITHSTAND EXPOSURE TO 260°C PEAK TEMPERATURE FOR 3.5 SECONDS IN A WAVE SOLDER APPLICATION WITH A 1.6 MM MINIMUM THICK CIRCUIT BOARD
- LEAD FREE OR RoHS DIRECTIVE LABELING TO BE PROVIDED AS PER GS-14-920 FOR LEAD FREE VERSION.

mat'l. code		surface		tolerance		projection		product family	
-		ISO 1302		ISO 406 ISO 1101		mm		8609	
ltr		ecn no		dr		date		title	
A		I04-0100		MINI		2004-11-09		DIN STANDARD RECEPTACLE	
B		I05-0042		MINI		2005-05-19		STRAIGHT SPILL DIN 41612 STYLE-B	
C		I06-0062		MINI		2006-06-01		dwg no	
D		I06-0187		MINI		2006-10-10		sheet 1 of 1	
				engr		MINI K VANDANATH		size	
				chr		2004-09-22		A3	
				chr		2004-09-22		C-8609-2020	
				chr		2006-10-10		type	
				appd		2006-10-10		Product Customer Drawing	
sheet index		revision sheet		D					
				1					



Copyright FCI