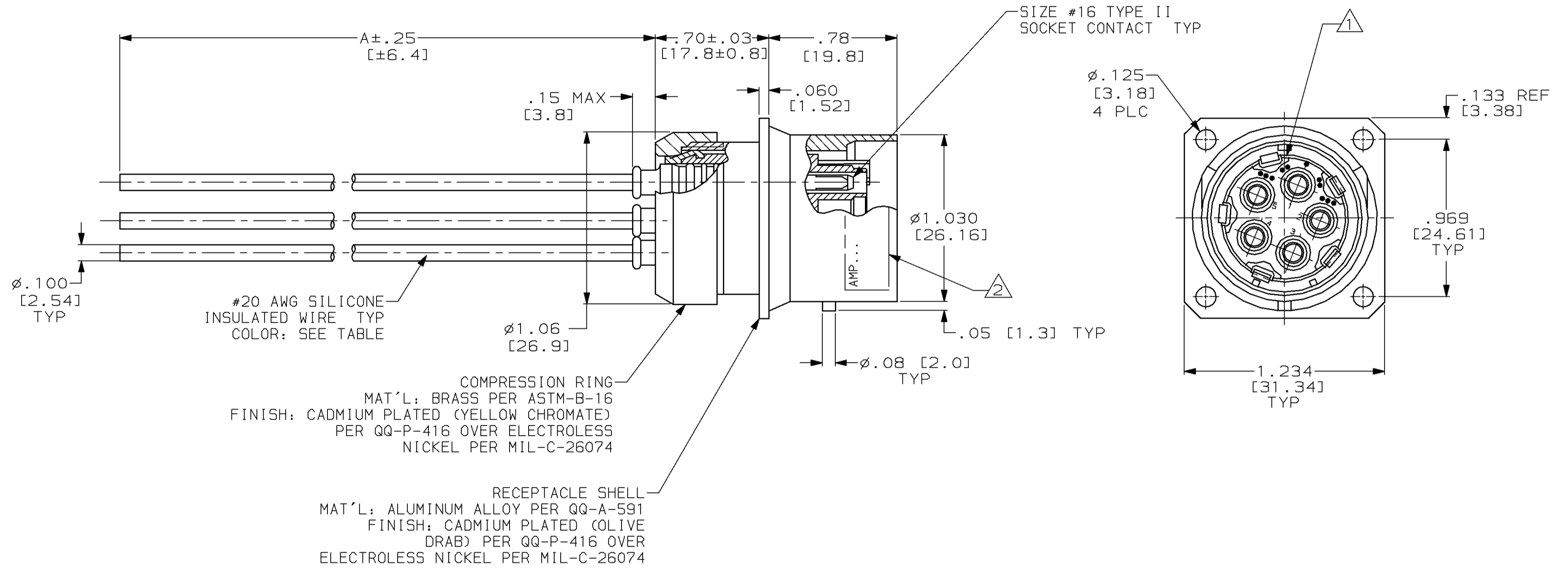


THIS DRAWING IS UNPUBLISHED. RELEASED FOR PUBLICATION  
 © COPYRIGHT 19 BY AMP INCORPORATED. ALL RIGHTS RESERVED.

LOC		DIST		REVISIONS			
P	LTR	DESCRIPTION		DATE	DWN	APVD	
DF	SO	F		REV & REDRAWN; 0600-5878-96	11-96	CT	CS

WIRING TABLE	
POSITION NO.	WIRE COLOR
1	BROWN
2	RED
3	ORANGE
4	YELLOW
5	GREEN



- 1 DOUBLE DOT FOR NORMAL POLARIZATION LOCATED UNDER MAJOR KEYWAY.
- 2 AMP INFO MARKED PER MIL-STD-130.
- 3. MAXIMUM MOUNTING PANEL THICKNESS: .100 [2.54].
- 4. WORKING VOLTAGE IS 4.5 KVDC MAX WHEN PROPERLY MATED.

OBSOLETE	6.00 [152.4]	863982-2
	24.00 [609.6]	863982-1
	DIM A	PART NO.

THIS DRAWING IS A CONTROLLED DOCUMENT.		DWN C.C. THOMAS 11-18-96	AMP Incorporated Harrisburg, PA 17105-3608														
DIMENSIONS: INCHES [mm]		CHK C. SHELLY 11-19-96	NAME CABLE ASSY, 5 POSN, LGH														
TOLERANCES UNLESS OTHERWISE SPECIFIED:		APVD C. SHELLY 11-19-96	DRAWING NO A2 00779 C-863982														
<table border="1"> <tr> <td>0 PLC</td> <td>±</td> </tr> <tr> <td>1 PLC</td> <td>±</td> </tr> <tr> <td>2 PLC</td> <td>±.02 [0.5]</td> </tr> <tr> <td>3 PLC</td> <td>±.010 [0.25]</td> </tr> <tr> <td>4 PLC</td> <td>±</td> </tr> <tr> <td>ANGLES</td> <td>±</td> </tr> <tr> <td>FINISH</td> <td>-</td> </tr> </table>		0 PLC	±	1 PLC	±	2 PLC	±.02 [0.5]	3 PLC	±.010 [0.25]	4 PLC	±	ANGLES	±	FINISH	-	PRODUCT SPEC -	RESTRICTED TO -
0 PLC	±																
1 PLC	±																
2 PLC	±.02 [0.5]																
3 PLC	±.010 [0.25]																
4 PLC	±																
ANGLES	±																
FINISH	-																
MATERIAL -		APPLICATION SPEC -	SCALE 2:1	SHEET 1 OF 1													
CUSTOMER DRAWING		WEIGHT -	REV F														