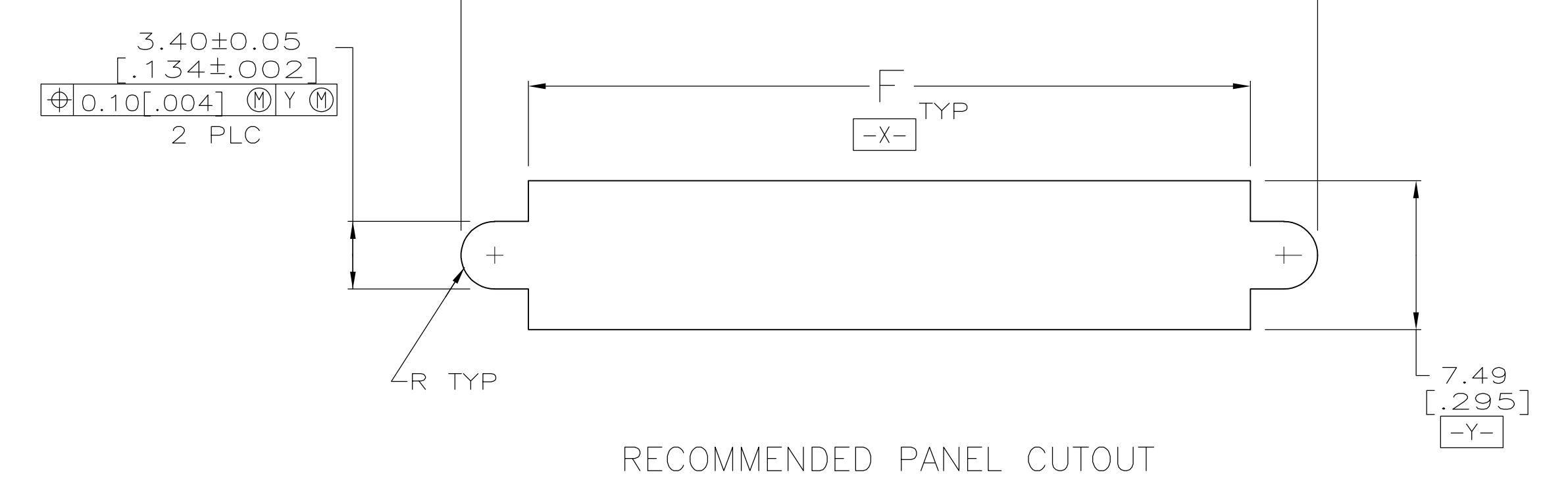
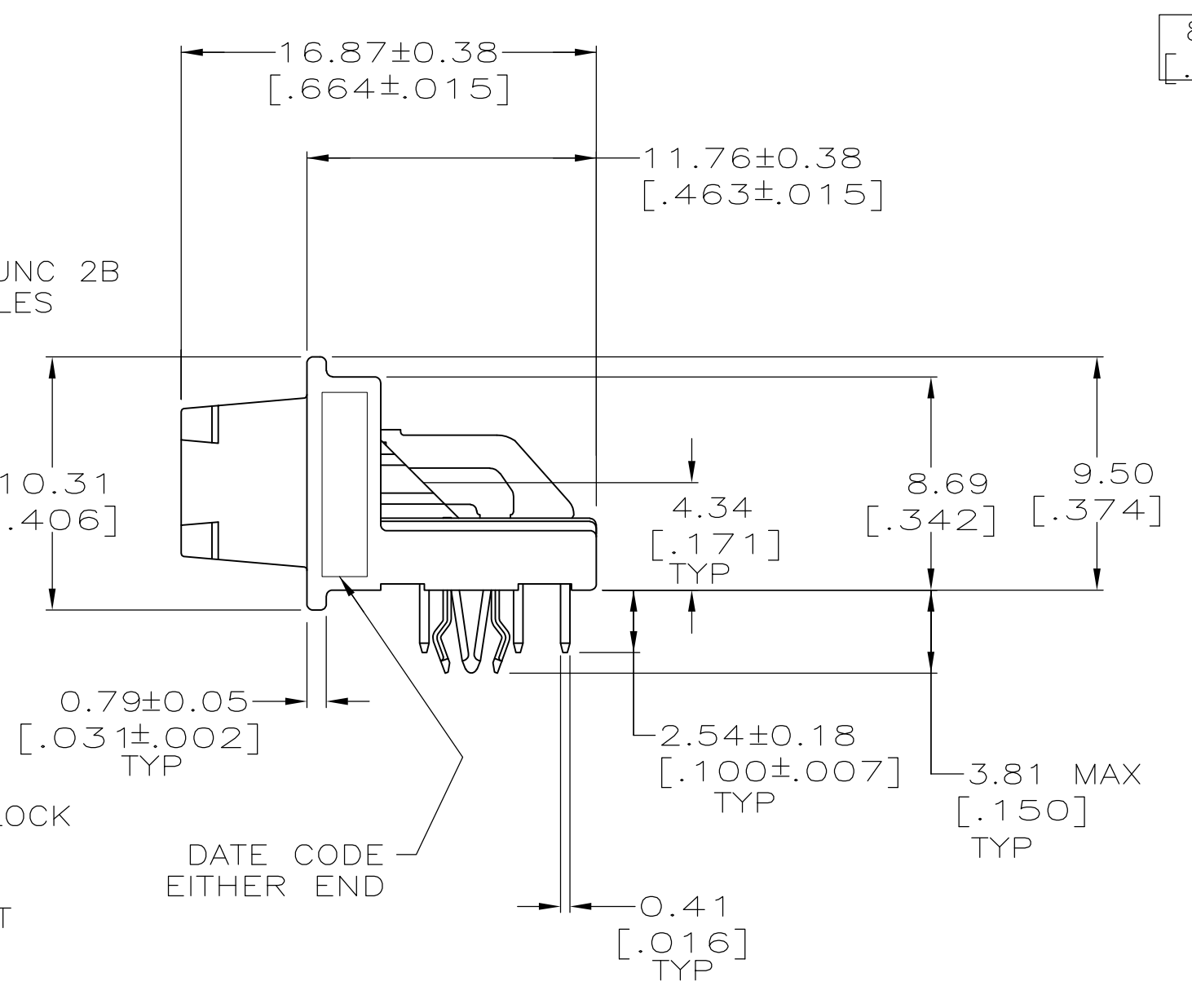
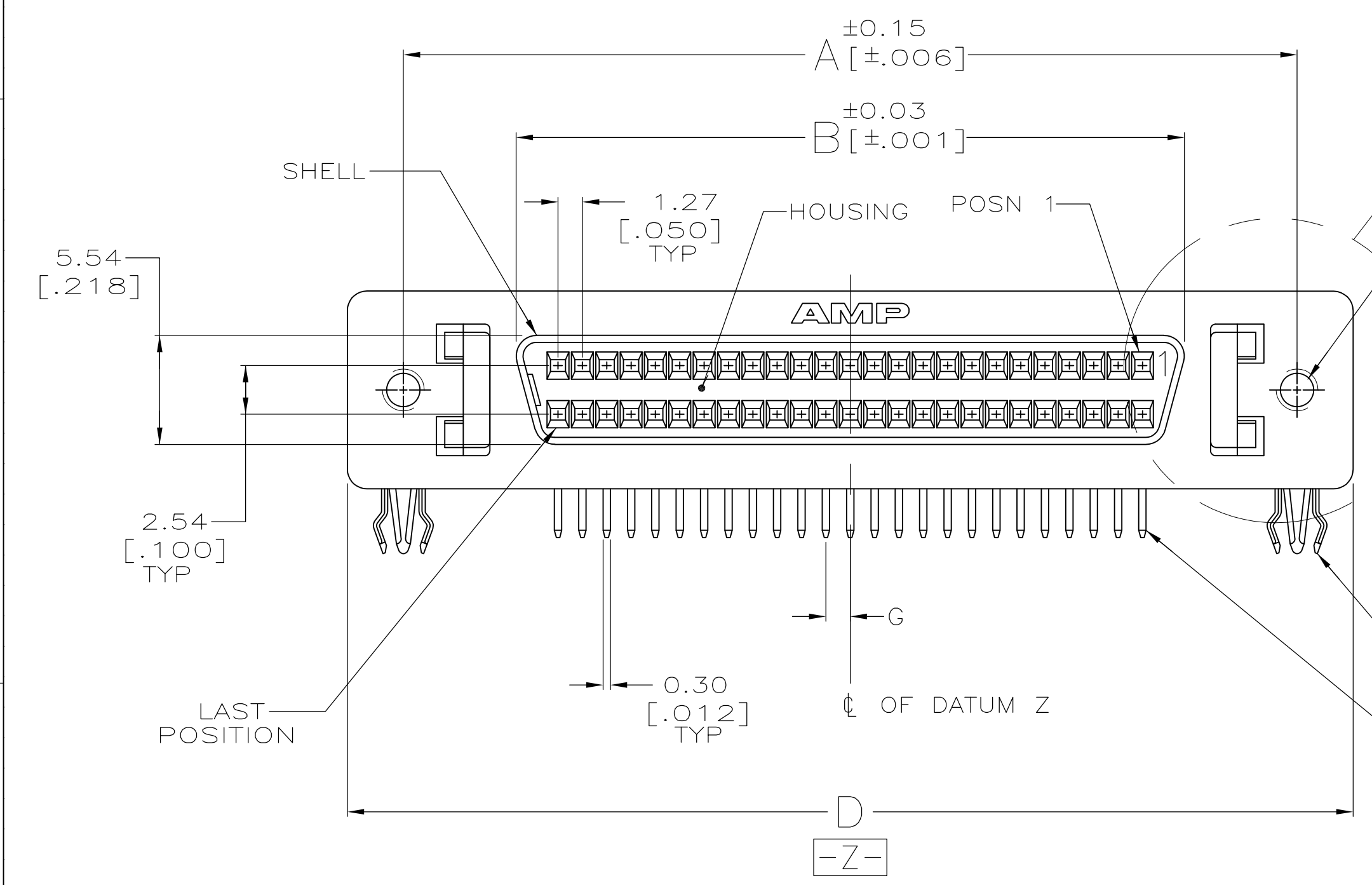
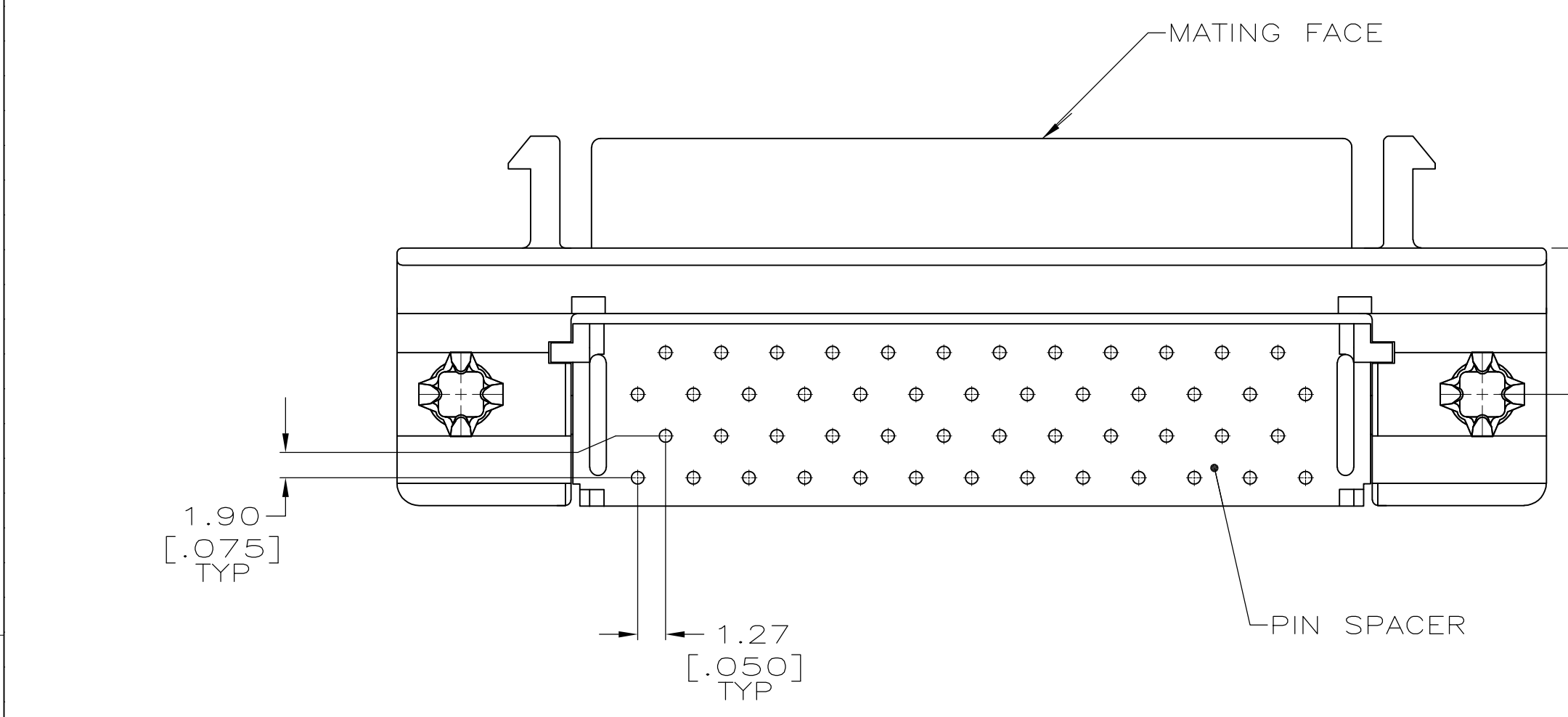


P.C. BOARD MOUNTING DIMENSIONS  
CONNECTOR SIDE  
P.C. BOARD THICKNESS 1.57±0.20 [.062±.008]



RECOMMENDED PANEL CUTOUT



1 MATERIAL  
CONTACTS: PHOSPHOR BRONZE  
HOUSING & PIN SPACER: UL 94V-0 RATED, THERMOPLASTIC, BLACK  
BRACKET: ZINC  
SHELL: CARBON STEEL  
BOARDLOCKS: COPPER ALLOY.

2 FINISH  
CONTACTS: EITHER 0.76µm [.000030] MIN GOLD PLATE FOR A LENGTH OF 0.64 [.025] MAX, 0.13 [.005] MIN FROM MATING END OR GOLD FLASH OVER PALLADIUM NICKEL PLATE, 0.76µm [.000030] MIN TOTAL FOR A LENGTH OF 0.64 [.025] MAX, 0.13 [.005] MIN FROM MATING END. 3.81µm [.000150] MIN TIN-LEAD ON OPPOSITE END FOR A LENGTH OF 2.72 [.107] MIN, BOTH OVER 1.27µm [.000050] MIN NICKEL.  
SHELL: 5.08µm [.000200] MIN NICKEL OVER 1.27µm [.000050] MIN COPPER.  
BRACKET: 2.54µm [.000100] MIN NICKEL OVER 5.08µm [.000200] MIN COPPER.  
BOARDLOCKS: 5.08µm [.000200] MIN TIN-LEAD OVER 1.27µm [.000050] MIN NICKEL.

46.48 [1.830]	1.27 [.050]	42.80 [1.685]	48.92 [1.926]	52.45 [2.065]	34.70 [1.366]	46.48 [1.830]	50	787395-5
L	G	F	E	D	B	A	NO OF POSN	PART NUMBER

THIS DRAWING IS A CONTROLLED DOCUMENT.

DWN W. LENKER 02/10/95	Tyco Electronics Corporation Harrisburg, PA 17105-3608
CHK R. STONE 02/14/95	RECEPTACLE ASSEMBLY, SHIELDED, RIGHT ANGLE, TM
APP'D R. WALTER 02/14/95	SIZE CAGE CODE DRAWING NO A1 00779 C=787395
PRODUCT SPEC 108-1228	RESTRICTED TO
APPLICATION SPEC 114-40029	CUSTOMER DRAWING
WEIGHT	SCALE 4:1 SHEET 1 OF 1 REV N