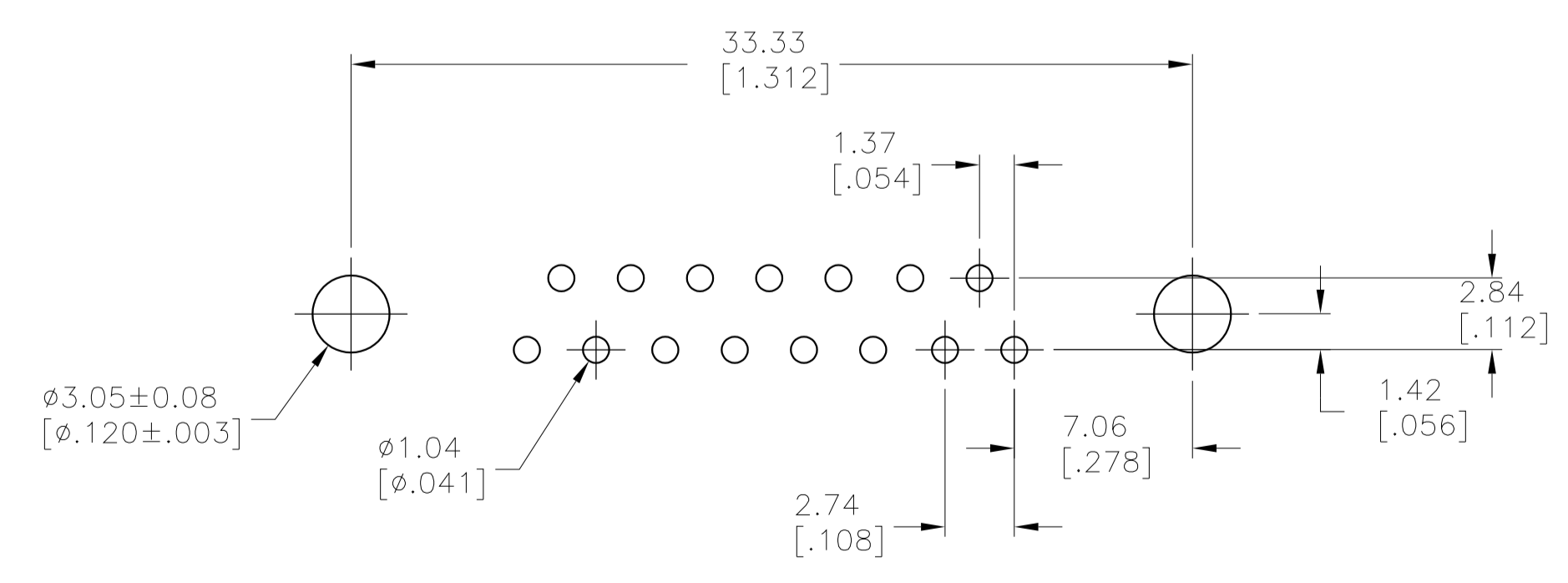
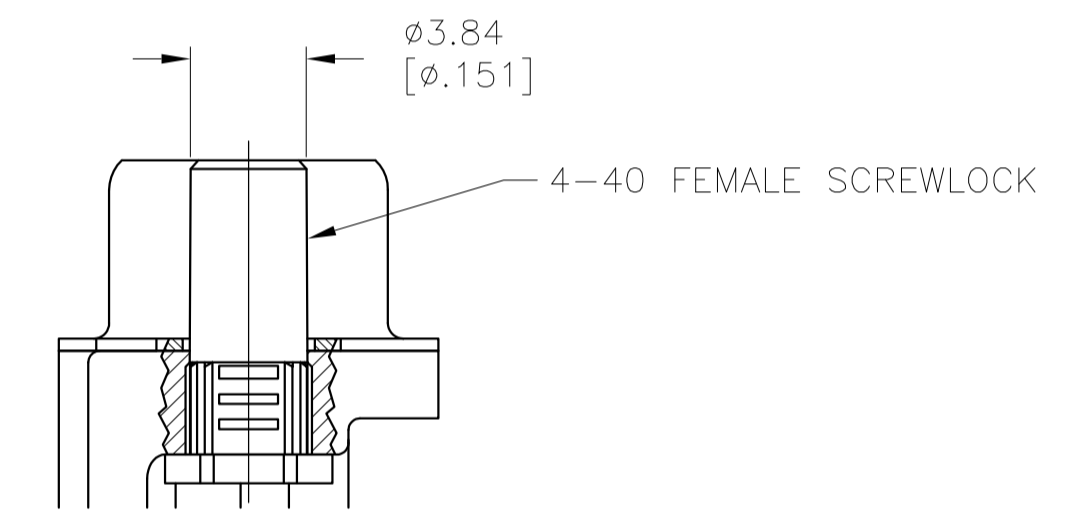
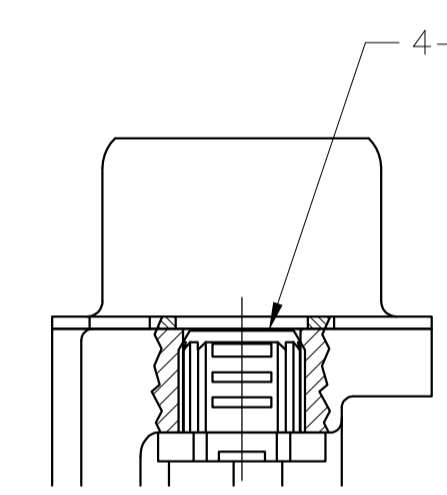
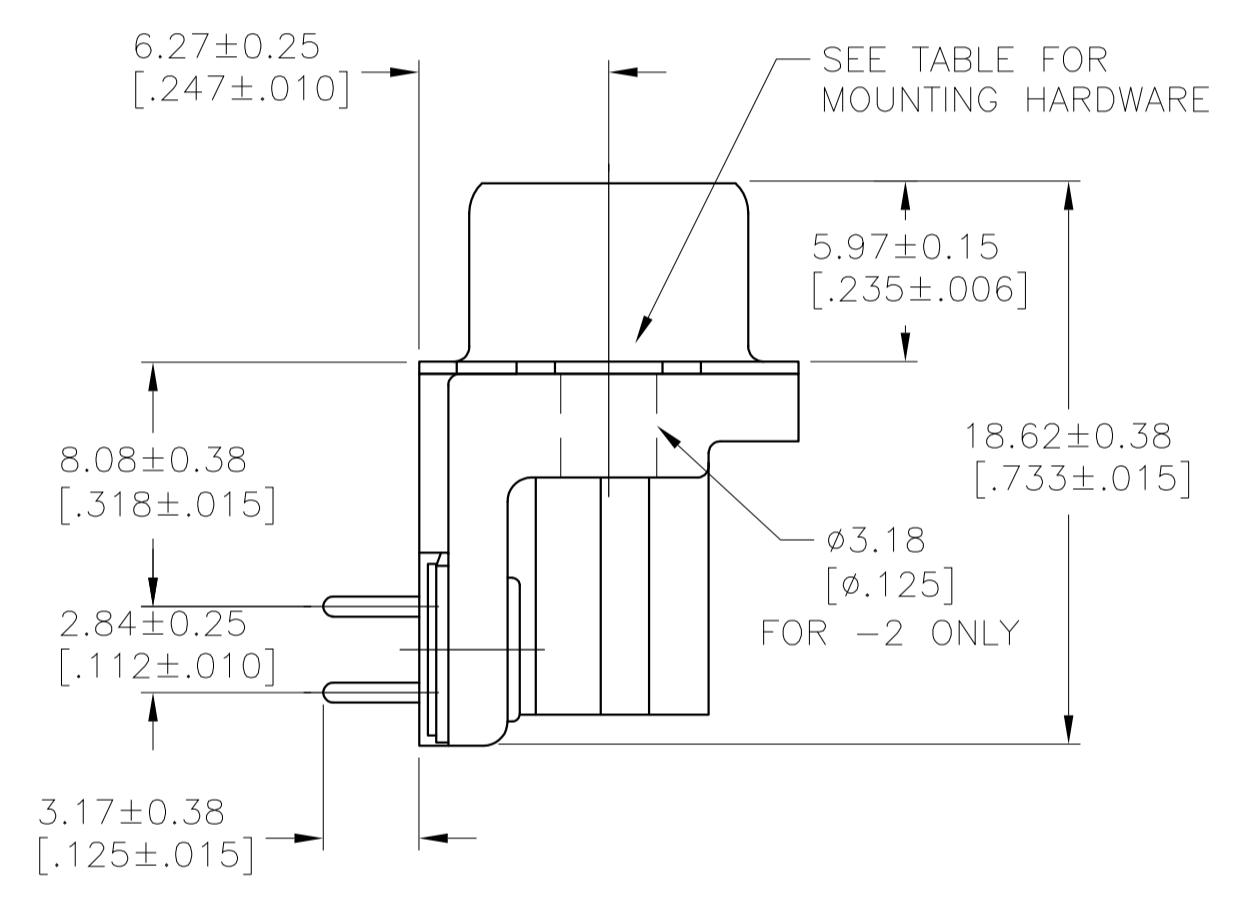
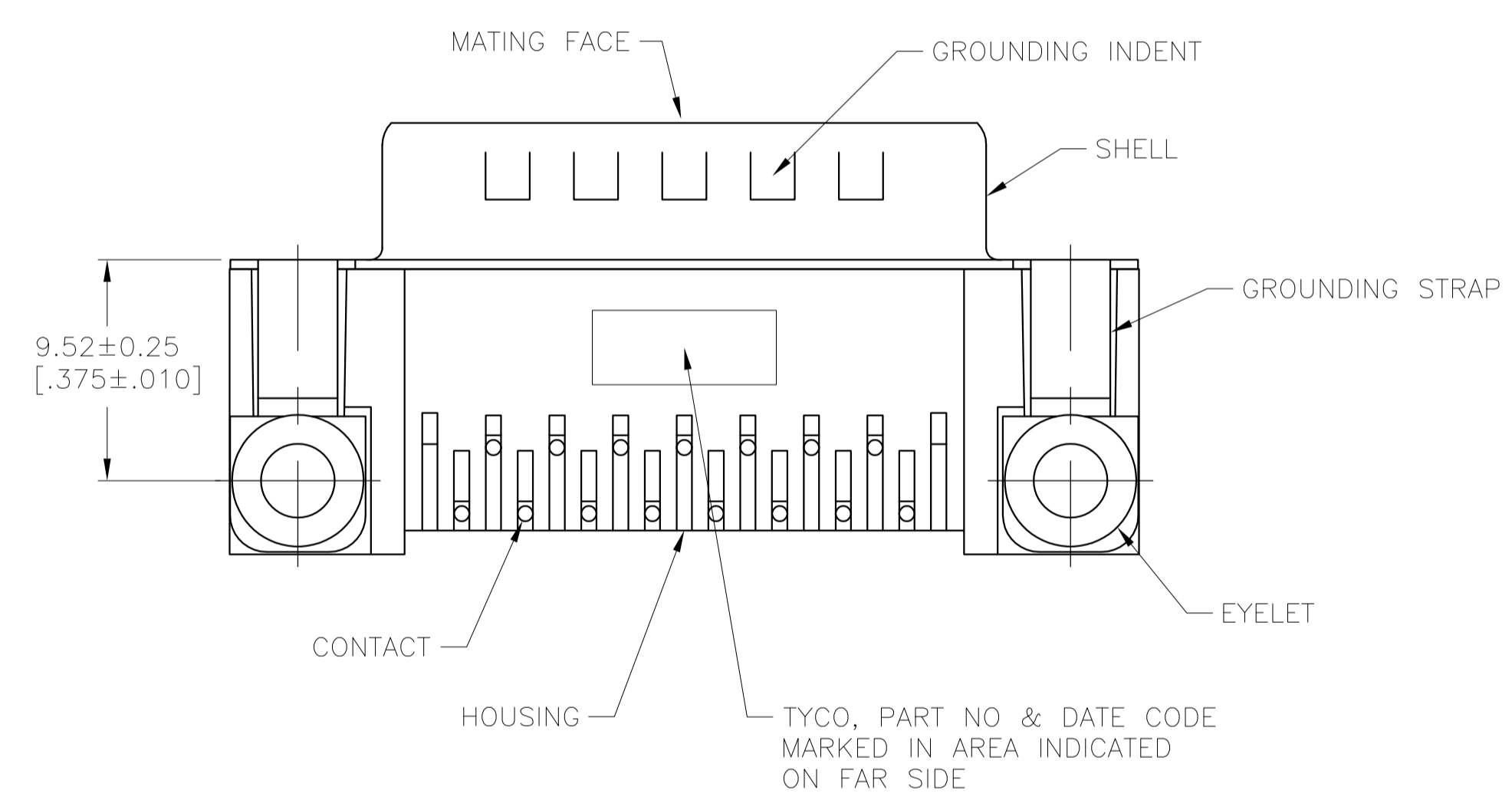


⚠ HOUSING: NYLON OR POLYESTER, FLAME RETARDANT, 94V-0 RATED, COLOR BLACK.  
 SHELL: CARBON STEEL.  
 CONTACTS: BRASS.  
 EYELETS: BRASS.  
 INSERTS: ZINC.  
 SCREWLOCKS: ZINC.

⚠ SHELL: 0.00254[.000100] MIN TIN OVER 0.00127[.000050] MIN COPPER.  
 CONTACTS: 0.76μm (.000030) MIN GOLD PLATE ON THE MATING SURFACES, 2.54μm (.000100) MIN TIN PLATE ON THE SOLDER END, 1.27μm (.000050) MIN NICKEL UNDERPLATE ON THE ENTIRE CONTACT  
 -OR-  
 GOLD FLASH OVER PALLADIUM-NICKEL PLATE, 0.76μm (.000030) MIN TOTAL ON THE MATING SURFACES, 2.54μm (.000100) MIN TIN PLATE ON THE SOLDER END, 1.27μm (.000050) MIN NICKEL UNDERPLATE ON THE ENTIRE CONTACT.

EYELETS: 0.00508[.000200] MIN TIN OVER COPPER FLASH.  
 INSERTS: CLEAR CHROMATE.  
 SCREWLOCKS: CLEAR CHROMATE.



SEE DETAIL B	5747236-6
SEE DETAIL A	5747236-4
NONE	5747236-2
MOUNTING HARDWARE	PART NUMBER

**COPYRIGHT 2005  
 TYCO ELECTRONICS CORP  
 ALL RIGHTS RESERVED**

THIS DRAWING IS A CONTROLLED DOCUMENT. DIMENSIONING AND TOLERANCING PER ASME Y14.5M-2009		DIN J. GERACE 14JAN05	STE TE Connectivity	
DIMENSIONS: mm(INCHES)		CHK S. BOLASH 14JAN05	NAME	
TOLERANCES UNLESS OTHERWISE SPECIFIED:		APP'D M. WALMSLEY 14JAN05	PRODUCT SPEC	
0. PLC ± -	1. PLC ± -	108-40025		
2. PLC ± -	3. PLC ± 0.13(.005)	APPLICATION SPEC		
4. PLC ± -	ANGLES ± ±	114-40010		
MATERIAL	FINISH	SIZE	CAGE CODE	DRAWING NO
		A1	00779	5747236
CUSTOMER DRAWING		SCALE	SHEET	REV
		4:1	1 OF 1	C