

- NOTES:
- MATERIAL:
    - HOUSING: PBT+30%G.F UL94V-0,BLUE COLOR.
    - 5PIN CONTACTS: PHOSPHOR BRONZE.
    - 4PIN CONTACTS: BRASS
    - SHELL: SPCC
  - FINISH:
    - CONTACT:
      - CONTACT AREA: 15U"
        - SOLDER AREA: TIN PLATED
        - UNDER PLATE: NI PLATED
    - SHELL: NI PLATED
  - MECHANICAL:
    - MATING FORCE: 3.57kgf MAX.
    - UNMATING FORCE: 1.02kgf MIN
    - DURABILITY: 1500 CYCLES MIN
  - ELECTRICAL:
    - CURRENT RATING:1.0A.
    - DIELECTRIC STRENGTH: 500V AC FOR 1MINUTE.
    - CONTACT RESISTANCE: 30mΩ MAX.
    - INSULATION RESISTANCE: 100MΩ MIN
  - OPERATING TEMPERATURE: -55°C TO +85°C.

RoHS compliant

Unit: mm

Scale	FREE					Date	Name	Customer-No.
TOLERANCE					Drawn	24.09.2014	Joanna	
.x	±0.38							
.xx	±0.25	③	Update drawing	11.09.2015	Joanna	Approved	11.09.2015	ASSMANN WSW-No.
.xxx	±0.1	②	Change gold plated	16.07.2015	Joanna			A-USBPA-3
DIM	TOL	①	Add page 2	20.05.2015	Joanna			Drawing-No.
		①	Drawn	24.09.2014	Joanna			ASS 6591 CO
Angle	TOL	Id.	Modification	Date	Name			rev03
								Replace



1

2

3

4

5

6

7

A

A

B

B

C

C

D

D

E

E

F

F

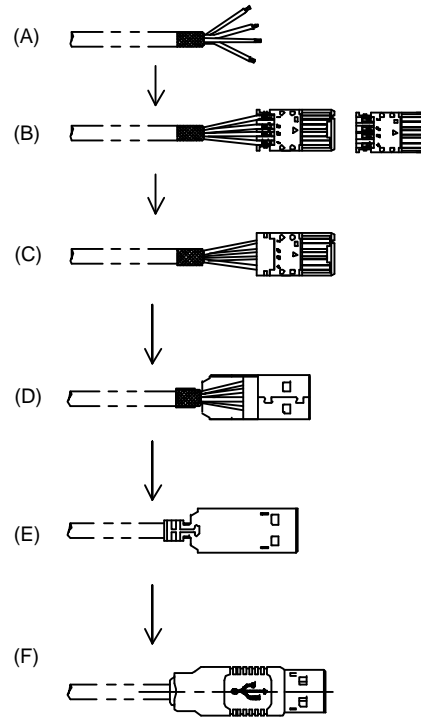
G

G

H

H

## Assembly process



RoHS compliant

Unit: mm

Scale	FREE						Date	Name	Customer-No.	
TOLERANCE						Drawn	24.09.2014	Joanna		
.x	±0.38	③	Update drawing	11.09.2015	Joanna	Approved	11.09.2015	Joanna	ASSMANN WSW-No. A-USBPA-3	
.xx	±0.25	②	Change gold plated	16.07.2015	Joanna				Drawing-No.	
.xxx	±0.1	①	Add page 2	20.05.2015	Joanna	<b>ASSMANN</b> WSW components		ASS 6591 CO		rev03
DIM	TOL	①	Drawn	24.09.2014	Joanna			Replace	Sheet 2/2	
Angle	TOL	Id.	Modification	Date	Name					

1

2

3

4

5

6

7

UNI4061