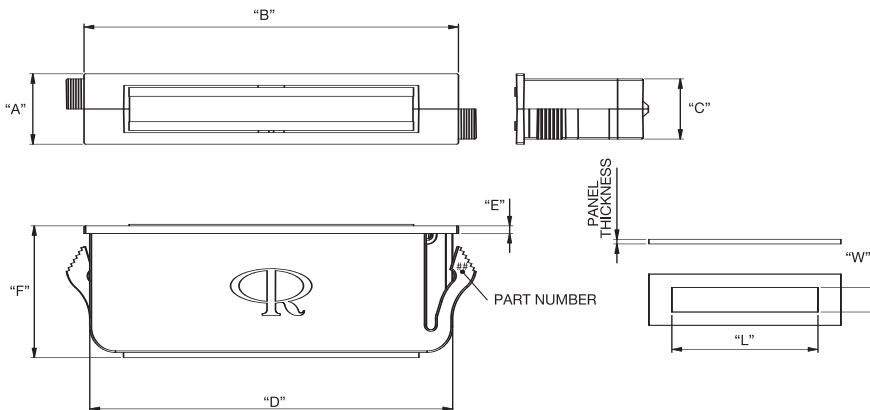
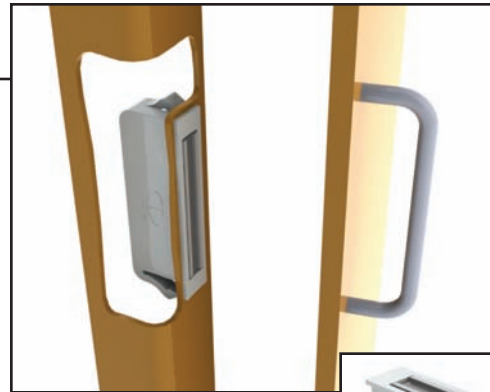


Introducing the *ML* Magnetic Latches

Features and Benefits

- Holds metal doors or a steel striker fixed to a non-metallic surface
- Quick snap-in installation in a single mounting hole
- Relatively low breakaway forces hold lighter doors firmly shut, yet allows easy opening or closing
- Can eliminate the need for latch hardware on door
- Allows for misalignment
- 8 different sizes available in 2 colors; black and white



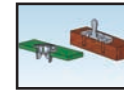
Markets

- Electronic Enclosures
- Automotive
- Consumer Electronics
- Point of Purchase
- Vending Machines
- Heating Ventilation and Air-Conditioning

Other Related Richco Product Solutions



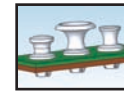
DCS



CS



QTPF



SLP/SLPG

Part No.		Material: Housing; Polypropylene, RMS-150; Housing Pole; 1010 Steel, RMS-198, Zinc Coating, RMS-354; Magnet; Betaflex, RMS-408 Standard Pack: 10 per bag													
Color: White	Color: Black	"A"	"B"	"C"	"D"	"E"	"F"	"G"	"H"	Panel Thickness	"L"	"W"			
ML-S-1	ML-S-1BK	.303 (7.7)	.929 (23.6)	.236 (6)	.858 (21.8)	.031 (0.8)	1.063 (27)	.020 (0.5) .079 (2)	.524 (13.3)	.020-.079 (0.5-2) .079-.138 (2-3.5)	.875 (22.2)	.250 (6.4)			
ML-S-2	ML-S-2BK														
ML-M-1	ML-M-1BK	.362 (9.5)	1.563 (39.7)	.303 (7.7)	1.484 (37.7)	.031 (0.8)	1.791 (45.5)	.020 (0.5) .079 (2) .138 (3.5)	1.00 (25.4)	.020-.079 (0.5-2) .079-.138 (2-3.5) .138-.197 (3.5-5)	1.50 (38.1)	.320 (8.1)			
ML-M-2	ML-M-2BK														
ML-M-3	ML-M-3BK														
ML-L-1	ML-L-1BK	.433 (11)	2.303 (58.5)	.362 (9.2)	2.232 (56.7)	.047 (1.2)	2.52 (64)	.020 (0.5) .079 (2) .138 (3.5)	.811 (20.6)	.020-.079 (0.5-2) .079-.138 (2-3.5) .138-.197 (3.5-5)	2.25 (57.1)	.380 (9.6)			
ML-L-2	ML-L-2BK														
ML-L-3	ML-L-3BK														