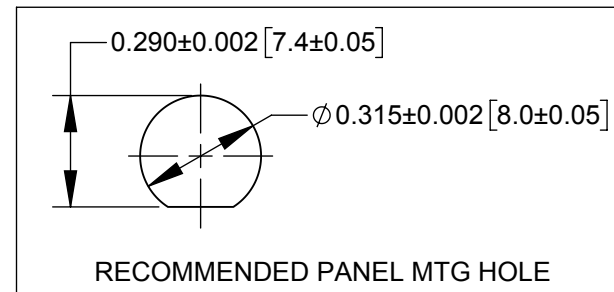
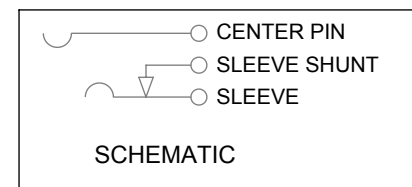
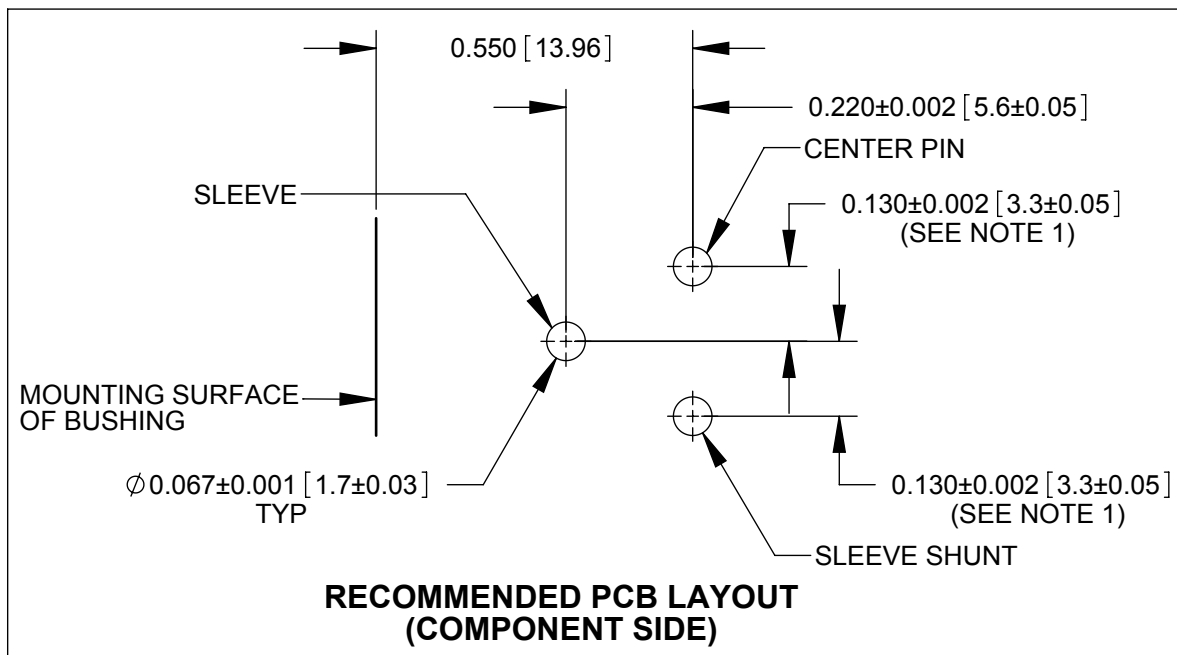
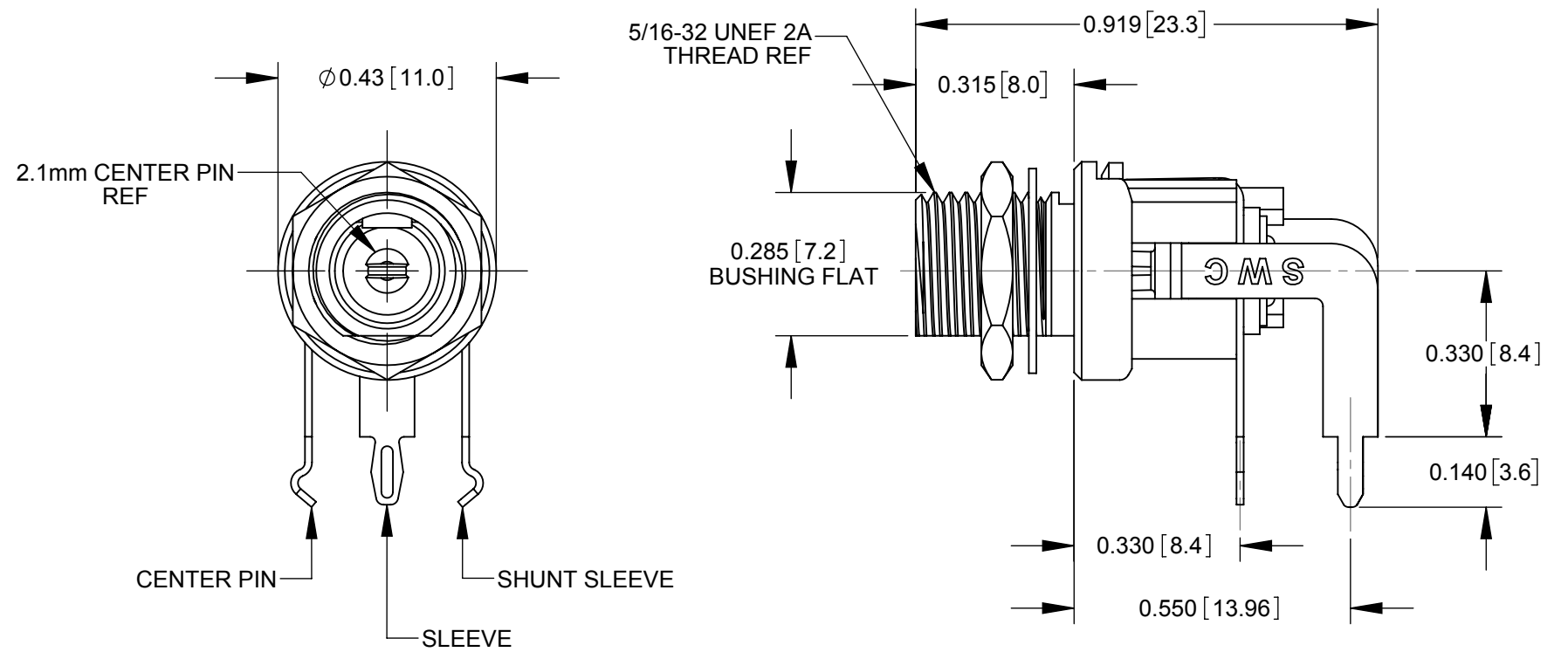
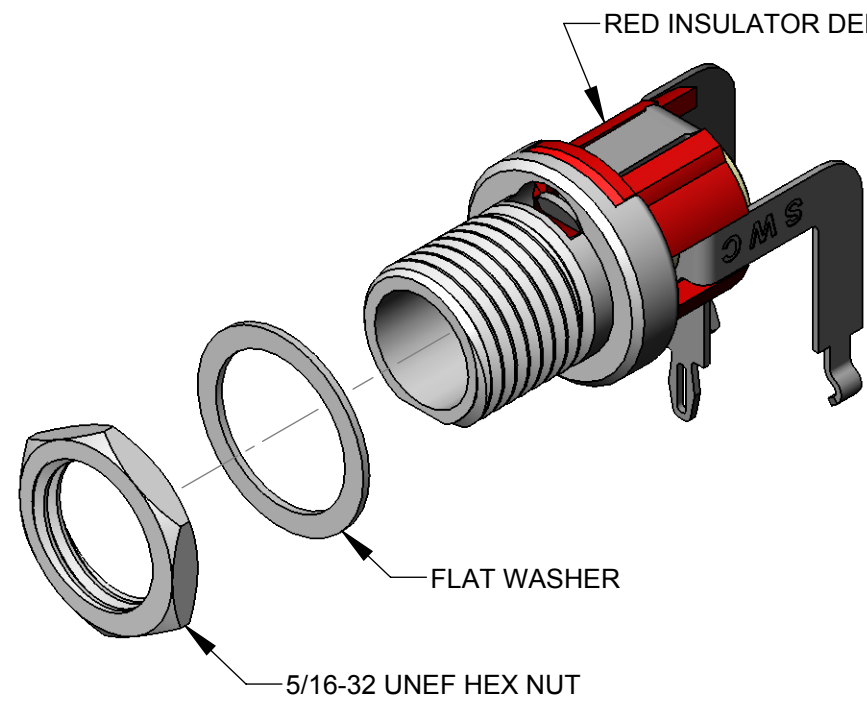


PART NUMBER	DESCRIPTION	SWITCHCRAFT MATING 2.1mm POWER PLUGS
L721RA	2.1mm POWER JACK, LONG BUSHING, RIGHT-ANGLE PC	767K, 768K



NOTES:

- FOR HAND INSERTION USE SPACING 0.130 [3.30]
FOR AUTOMATED INSERTION USE SPACING 0.135 [3.43]
- DIMENSIONS SHOWN FOR REFERENCE ONLY.
- HEX NUT AND FLAT WASHER SUPPLIED UNASSEMBLED.
- MATERIAL:
HOUSING, HEX NUT - COPPER ALLOY, NICKEL PLATED
INSULATOR HOUSING - THERMOPLASTIC
TERMINAL INSULATORS - PHENOLIC
FLAT WASHER - STEEL, NICKEL PLATED
PIN, SPRING, TERMINALS - COPPER ALLOY, SILVER PLATED
- THESE PRODUCTS ARE RoHS COMPLIANT

CUSTOMER DRAWING

					THIS DRAWING DESCRIBES A DESIGN CONSIDERED PROPRIETARY IN NATURE, DEVELOPED AND MANUFACTURED BY SWITCHCRAFT INC. AND IS RELEASED ON A CONFIDENTIAL BASIS FOR IDENTIFICATION PURPOSES ONLY.							
					SIZE	WIDTH	MULT	LBS/M	TEMPER			
					UNLESS OTHERWISE SPECIFIED			FINISH		MATERIAL		
					1. ALL DIMENSIONS IN INCHES			SPEC No.		SPEC No.		
					- TWO PLACE DECIMALS ±0.02			FIRST USED ON		SCALE		
					- THREE PLACE DECIMALS ±0.005			02/09/17		3:1		
0A	PRELIMINARY	02/09/17	PNK	SRC	DATE DRAWN	BY	CHKD	APVD	Switchcraft [®]			
REV	ECO NUMBER	DATE	BY	APVD	02/09/17	PNK	PNK	02/09/17				SHEET 1 OF 1
REVISIONS					DO NOT SCALE DRAWING					PART No.		REV
					2.1mm POWER JACK LONG BUSHING, RIGHT-ANGLE PC, RoHS					L721RA		0A