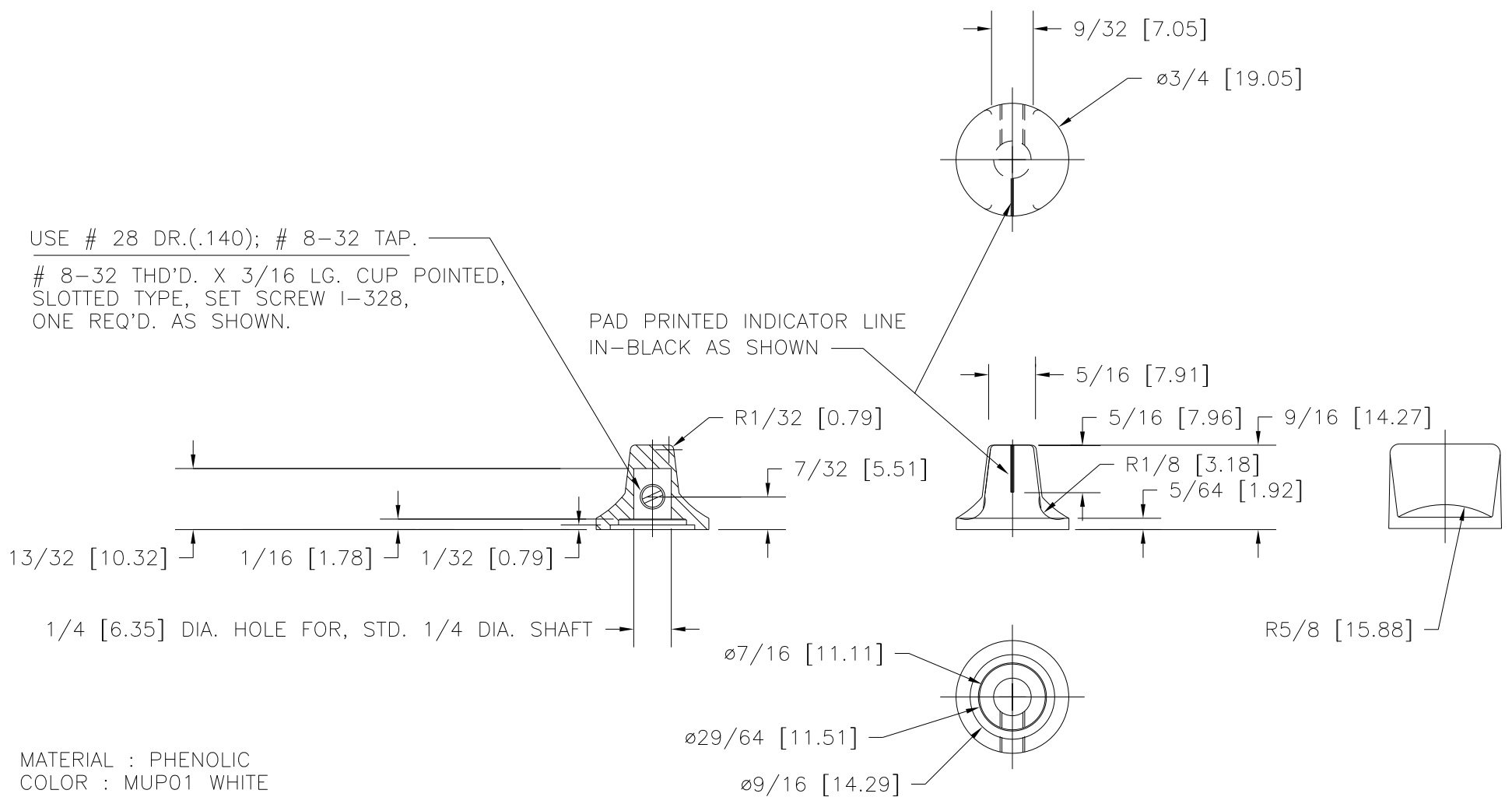


(A)



MATERIAL : PHENOLIC
COLOR : MUP01 WHITE

TOLERANCES: UNLESS OTHERWISE SPECIFIED	DO NOT SCALE DRAWING			
DECIMALS: X.XXX ± .005 X.XX ± .015	MM: X.XX ± 0.15MM X.X ± 0.4MM	A	ADDED BASE PART	JAM 1/22/14
FRACTIONS ± 1/64	ANG. ± 1°	CHANGES		