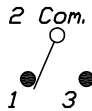


RECOMMENDED PCB LAYOUT

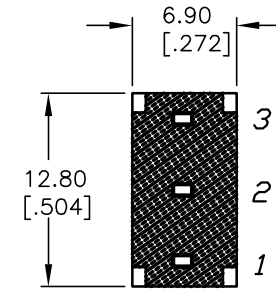
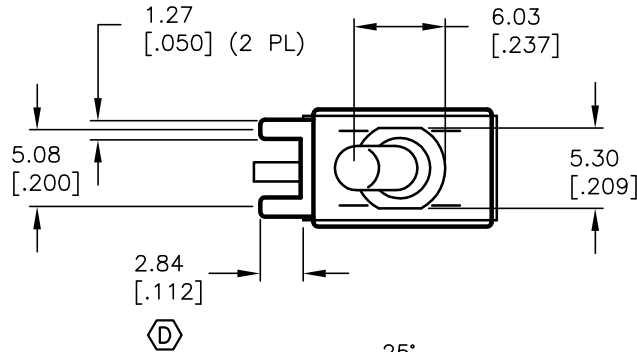


SPDT CIRCUIT CONTACT CONFIGURATION

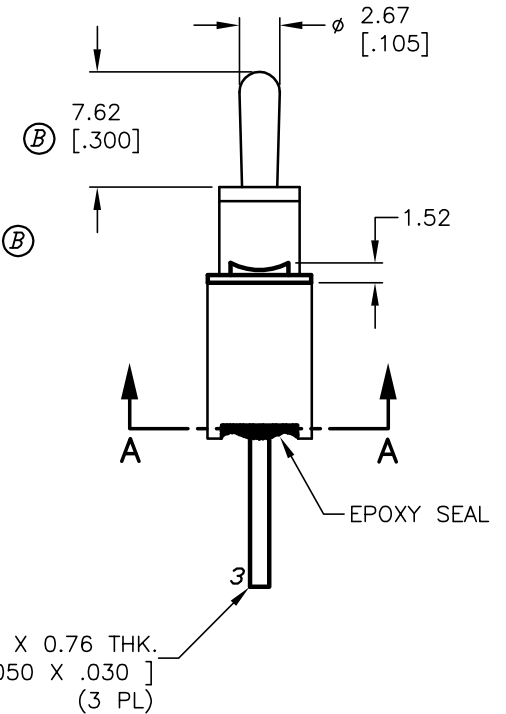
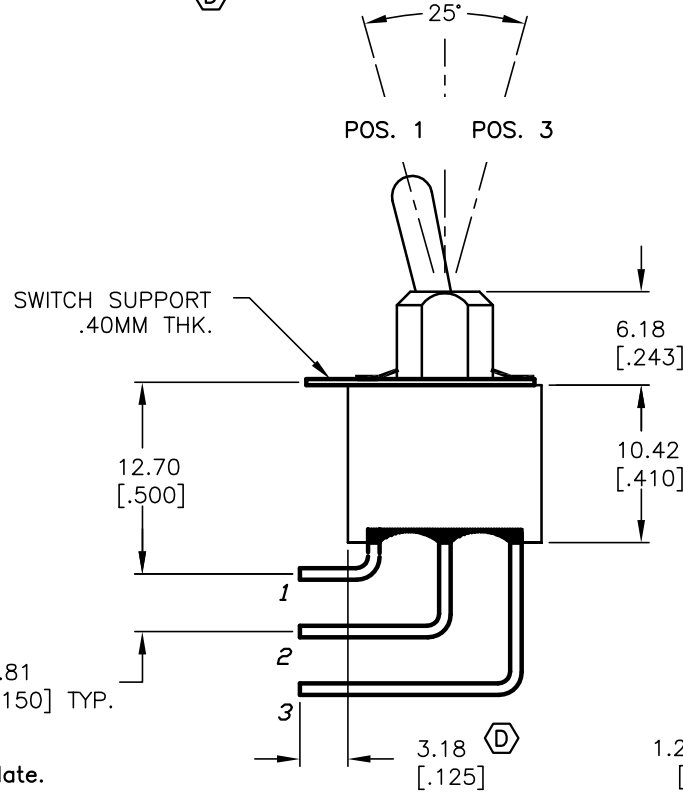
SWITCH FUNCTION		
POS. 1	POS. 2	POS. 3
ON	NONE	ON
2-3	OPEN	2-1

NOTES:

1. ALL DIMENSIONS IN MM [INCH]
2. GENERAL TOLERANCE: X.X=±0.4  
X.XX=±0.25
3. TERMINAL NUMBERS FOR REF ONLY
4. RATING: 0.4(VA) Max. @20V (AC or DC)
5. FIXED TERM. & MOVING CONTACT: Cu Alloy w/Gold plate over Ni plate.
6. ELECTRIC LIFE: 50,000 make-and-break cycles at full load.
7. INSULATION RESISTANCE: 1,000 Mega-ohm min.
8. DIELECTRIC STRENGTH: 1,000 V RMS @sea level.
9. OPERATING TEMP.: -30°C to 85°C



SECTION A-A



(B)

REV.	ECN No.	DESCRIPTION	DATE	CHKD
D	14181	3.18 WAS 4.50, SUPPORT DIM	7/21/04	AR
C	13090	3.18 WAS 2.69	4/28/03	AR
B	11525	REVISED ACTUATOR/BUSHING	6/01/01	CB

THE INFORMATION CONTAINED IN THIS DOCUMENT IS PROPRIETARY TO E-SWITCH AND IS NOT TO BE COPIED OR TRANSFERRED

**E-SWITCH®**

TITLE				
100A WSP-1 T2 B4 M7 R E				
SCALE	DATE	DR	DWG	REV
2:1	10/20/99	MM	T101014	D