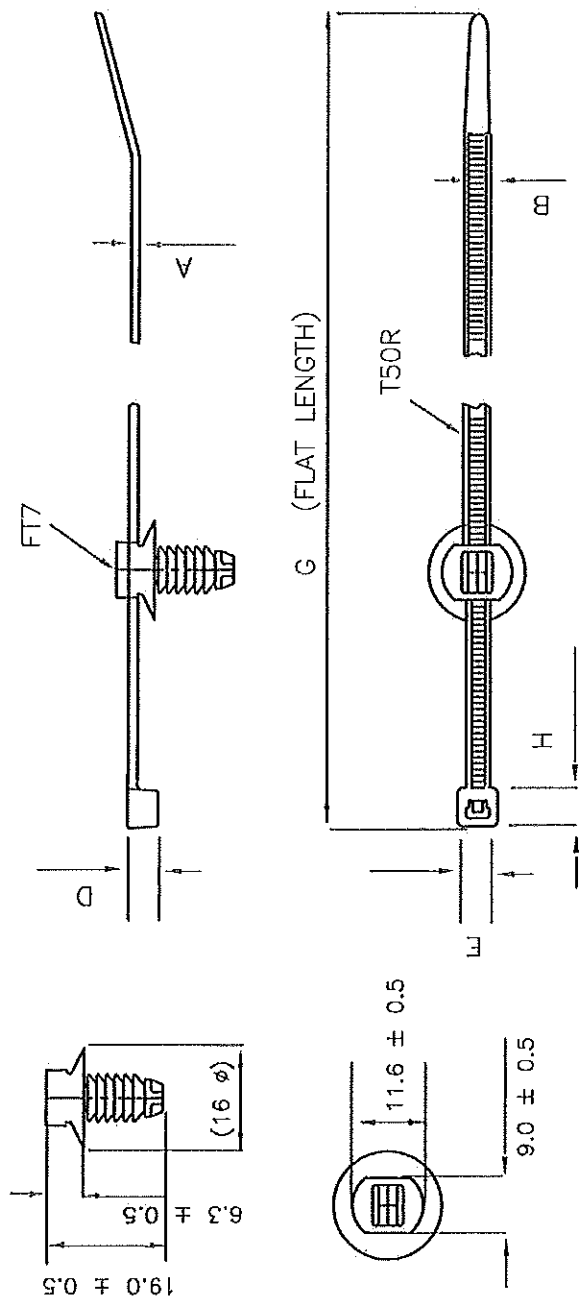


| | | | | | | | | | |
|------|----------------|------|---------|--|-----------|----------|------------|----------|------|
| ACAD | Revision level | Part | Drawing | Revision Record | | Changed | Date | Approved | Date |
| | | | | Remove bundle diameter | Mandy Ong | | | | |
| | | | 01 | Product dimensions update (Group Standard) | Mandy Ong | 06/12/10 | Edward Tan | 06/12/10 | |



Hole size (mm)
6.5 to 7.0

Panel thickness (mm)
0.8 to 7.0

Tensile strength
225N

Material P.A. 66

~~Dimension without tolerances details to:~~
DIN 16901

Tolerances

PERFORMANCE SPECIFICATION

The copyright of this drawing is reserved by HELLERMANN TYTON. It is issued on condition that it is not reproduced, copied or disclosed to a third party, either wholly or in part, without the consent of HELLERMANN TYTON.

Drawn MANDY ONG 30/04/07
Approved EDWARD TAN 30/04/07

Scale: not to scale Reference:

Title T50IFT7

Uncontrolled Document

Drawing-No SG07021-02

Format A4

Sheet 1 of 1